

Accessori: maniglie, cerniere, chiusure, bussole, tappo coprivite, pomolo di fissaggio, presa attacco pressostato, oblò...

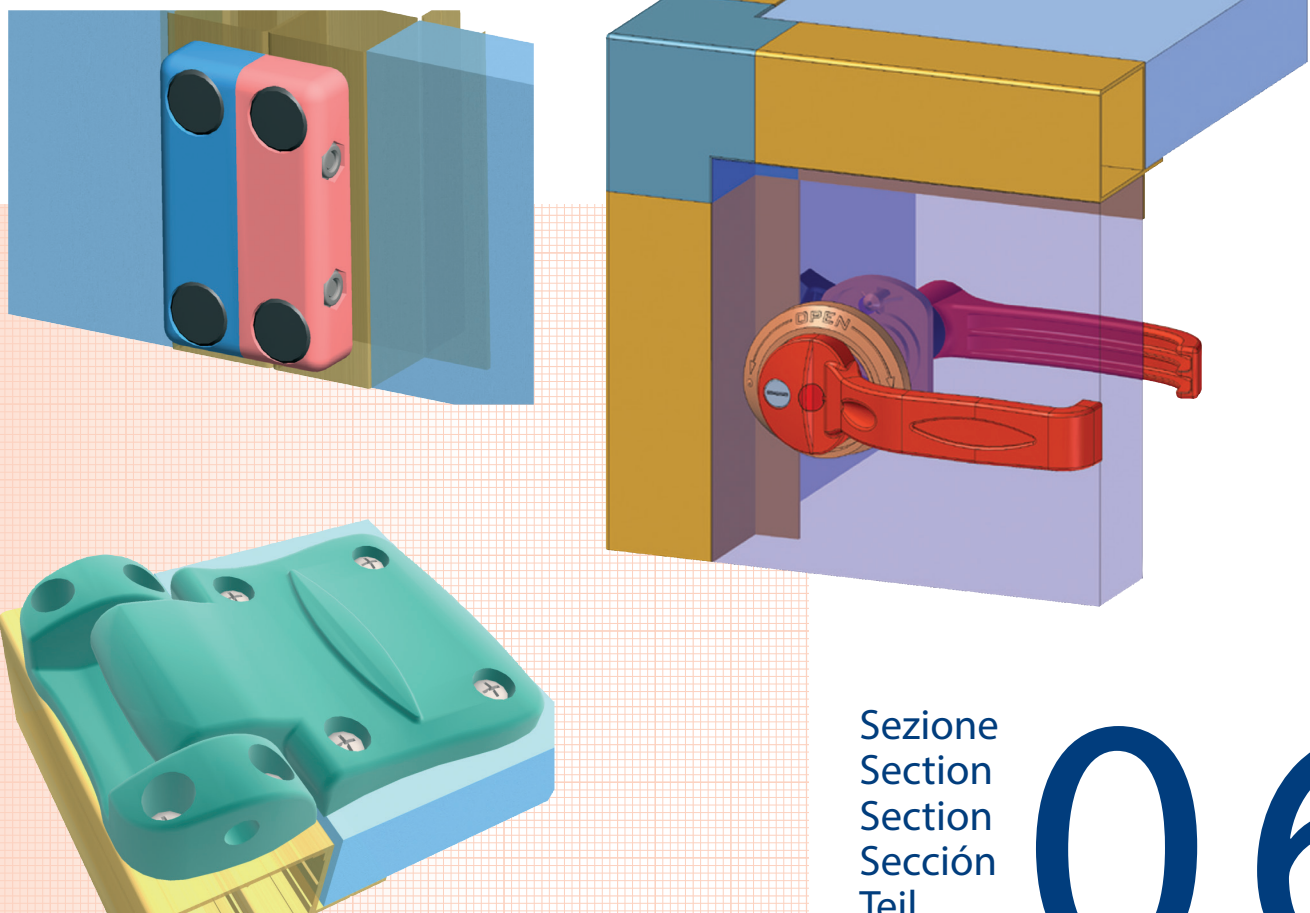
Accessories: handles, panel stops, hinges, locks, double locks, knob, screw-guide bushings, pressure plug, screw cover caps, portholes...

Accessoires: poignées, charnières, fermetures, glissières et bouchon couvre-vis, poignées de fixation, prise de pression, hublots...

Accesorios: bisagras, cerraduras, tapón cubre tornillo, tirador de ajuste, casquillos, toma de enganche presostato, portillas...

Zubehör: Griffe, Verschlüsse, Scharniere, Schlösser, Doppelschlösser, Hülsen Druckmessutzen, Paneelsperren, Deckelschrauben, Leitspindeln, Bullaugen...

附件：把柄，铰链，锁，双锁，螺丝覆盖，螺纹指导，压力插件，舷窗，等。



Sezione
Section
Section
Sección
Teil
第06号

06

HANDLES AND LOCKS

The handles and locks are available in different materials, (nylon, galvanised, aluminium, stainless steel), which are used for single/double bent panels.

The handles with the highest technical characteristics are DN ISO/DN ISO1.

DN ISO/DN ISO1 handle series is suitable for panels with thickness from 20 to 60 mm, it can be single or double (in case of the panel must be opened from inside too) and it can be equipped with key or padlock. This handle can be mounted on positive pressure units thanks to a safety device which stops the rotation of the panel and prevent from accidentally damage to things and persons.

DN ISO-0 version is designed to avoid the pin of the handle goes beyond the panel or profiles. Thanks to this feature any mechanical element will be placed inside the unit, thus thermal insulation will be guaranteed as well as constant cleanliness inside the air handling unit. The closing mechanism of the panel is external and it is also available for both doors that open internally and externally.

The model N 80x80 DF has two functions: it is a hinge that has a mechanism that makes it also a handle. In this way the door can be opened from both sides or be removed completely. It can be mounted on panels of different thicknesses and it is available a version with security device for units with positive pressure.

NYLON SCREW-GUIDE BUSHES

Screw-guide bushings are available for panel thickness from 20 up to 50 mm, while DN41 improves the holding of the fixing and to ease the centering panel instead of using screws or classic screw-guide bushings.

HINGES

The wide range of our hinges offers solutions that meet technical and aesthetic needs. We have various models: from smaller hinges made in nylon or aluminium, with low resistance to load, hide screw nylon hinges, up to aluminium ones that can support considerable loads.

The series A 80x110 are vertically adjustable hinges meanwhile the adjustment of A 105x55 is both vertically and horizontally. These latter are used when the panel is not in line with frame and to ensure the proper compression adjustment of the gasket.

PORTHOLES

The series W 19-35, W 39-53, W 54-65, W 70-90 and W 95-110 are made of polycarbonate with EPDM gasket and are suitable for panel thickness from 20 to 110 mm. The air tightness of these portholes is high as well as its aesthetic design (the screws are hidden).

The series N 300 has an external nylon ring and a transparent plexiglass disc (N 300, N 302) It is also available a "double version" which consists of two parts (N 300 + N 301) that can be fitted inside each other, thereby making them adjustable. The adjustable porthole can be used with panels thickness from 25 to 50 mm.

PRESSURE PLUGS

We offer pressure plugs of different sizes and dimensions with gaskets and nylon closing caps for air flow.

ALUMINIUM BRACKETS

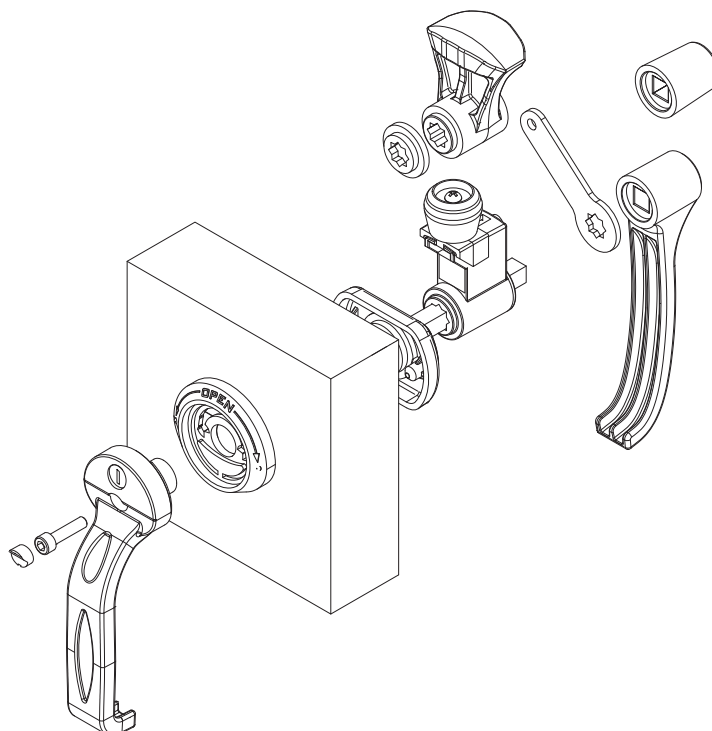
The ACB series is made up of several brackets, made of die-cast aluminum, which are very useful to fix and unite different sections of an air handling unit.

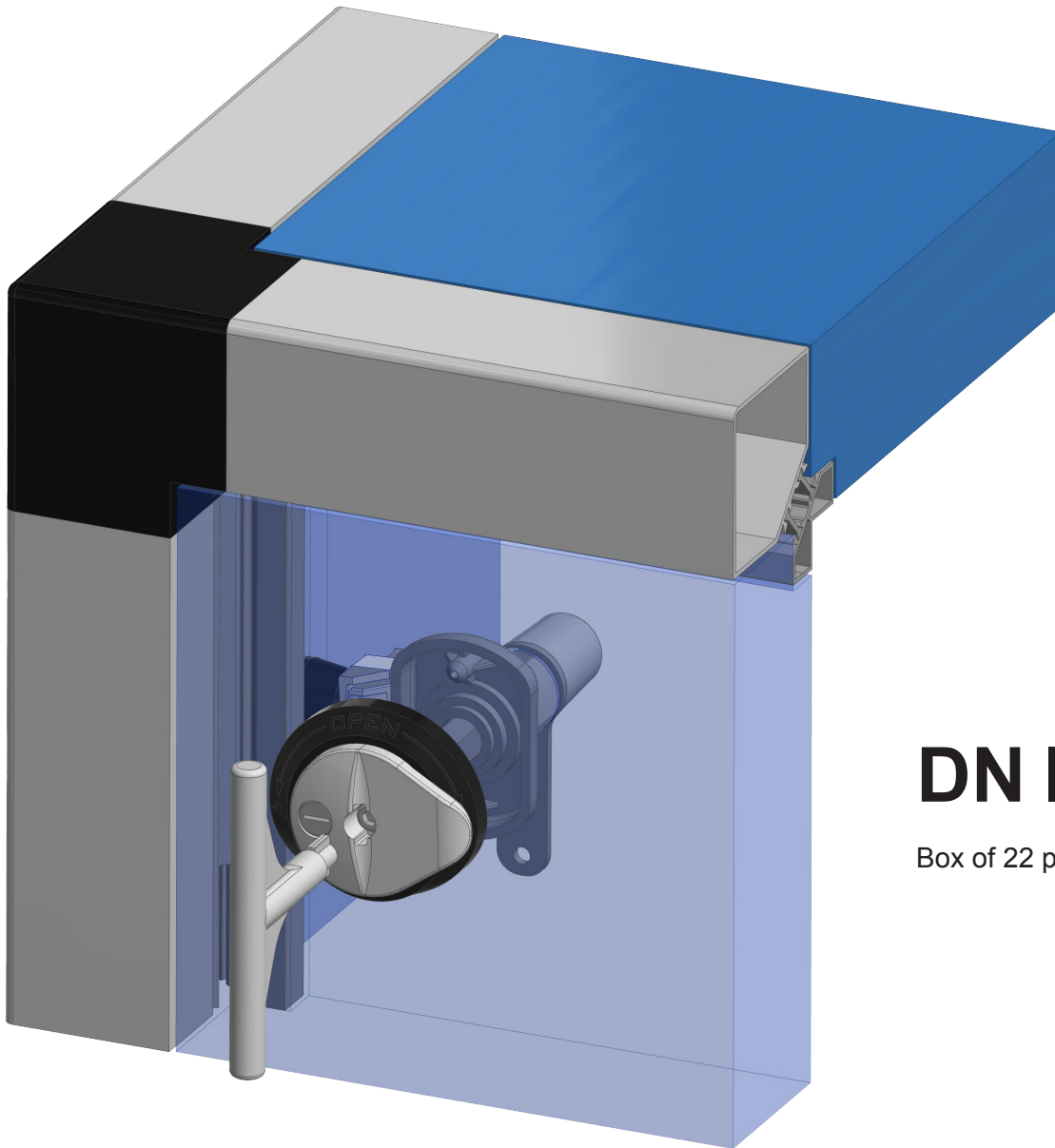
These brackets have a conical shape in order to align the sections on the same level, even when the floor is misaligned or disconnected. There are also available brackets to suspend the unit to the ceiling or whether the AHU should be laid on adjustable feet.



DN ISO

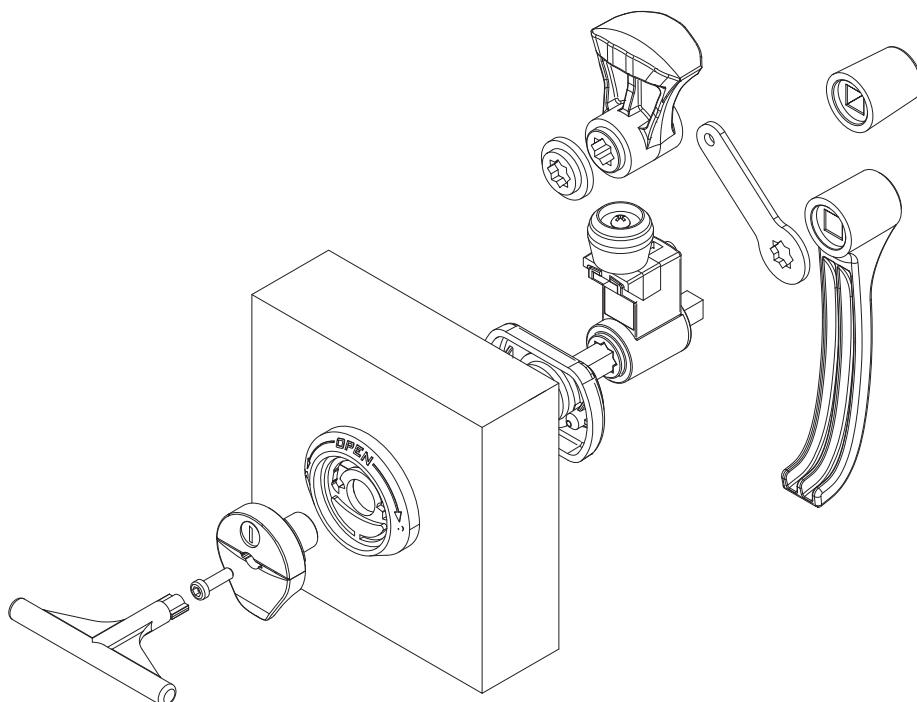
Box of 22 pcs.



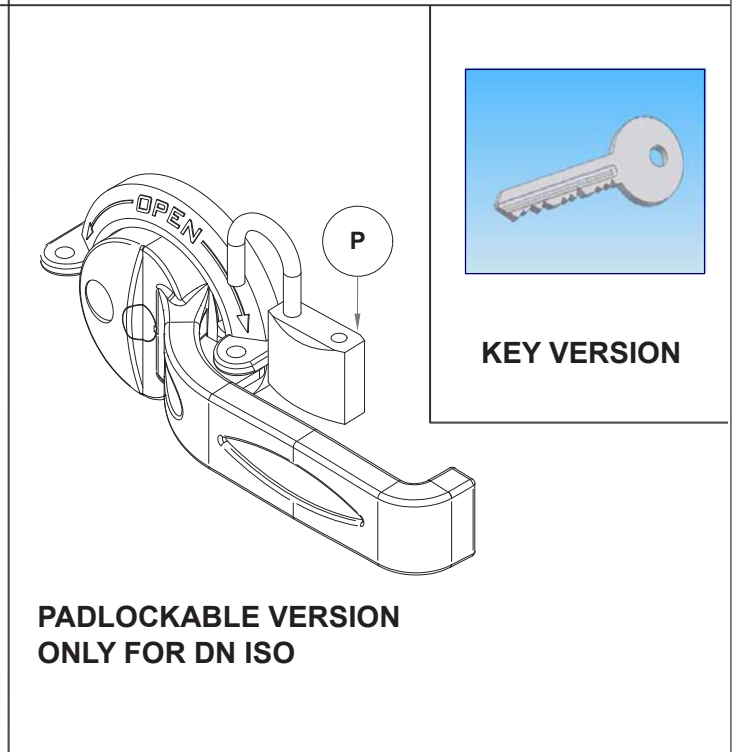
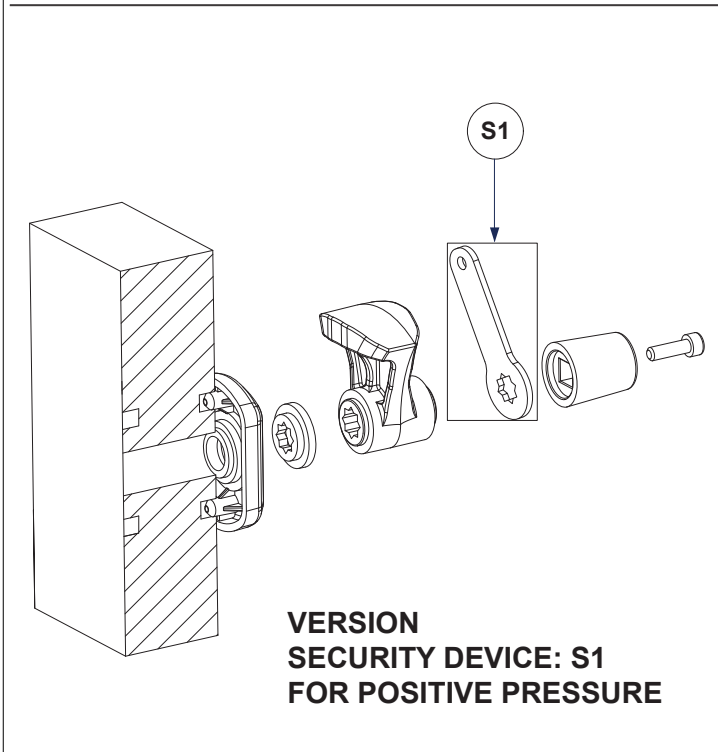
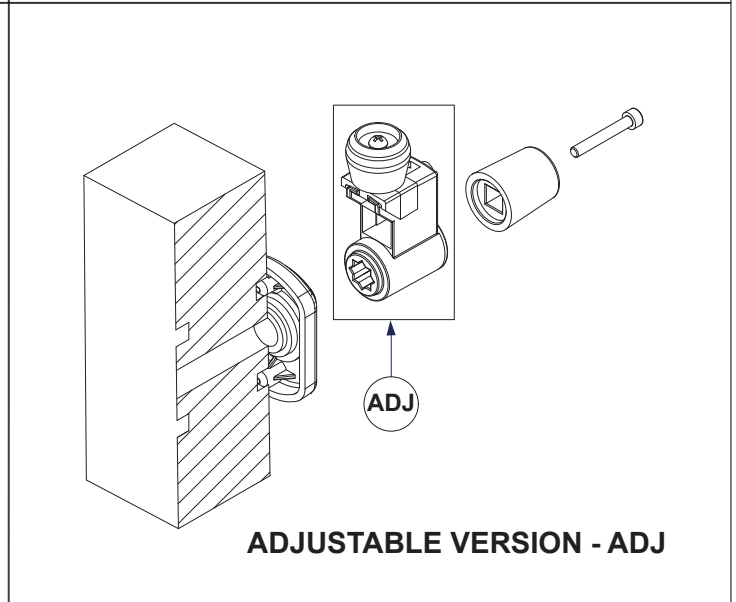
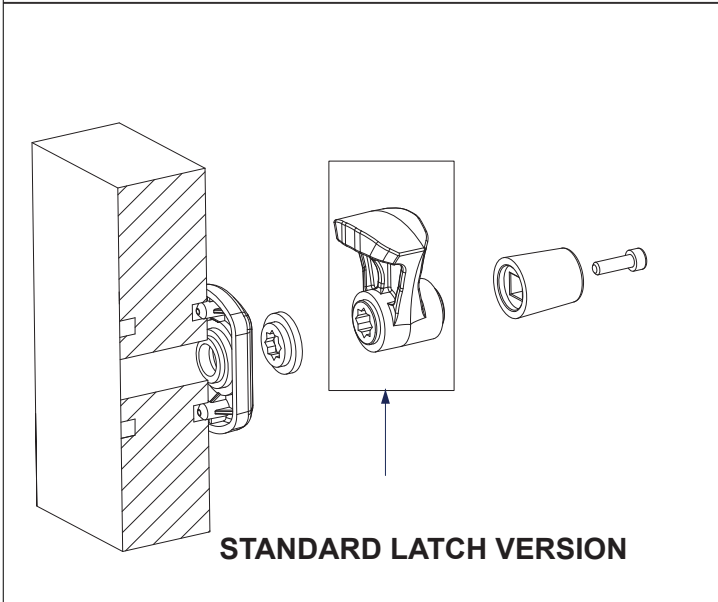
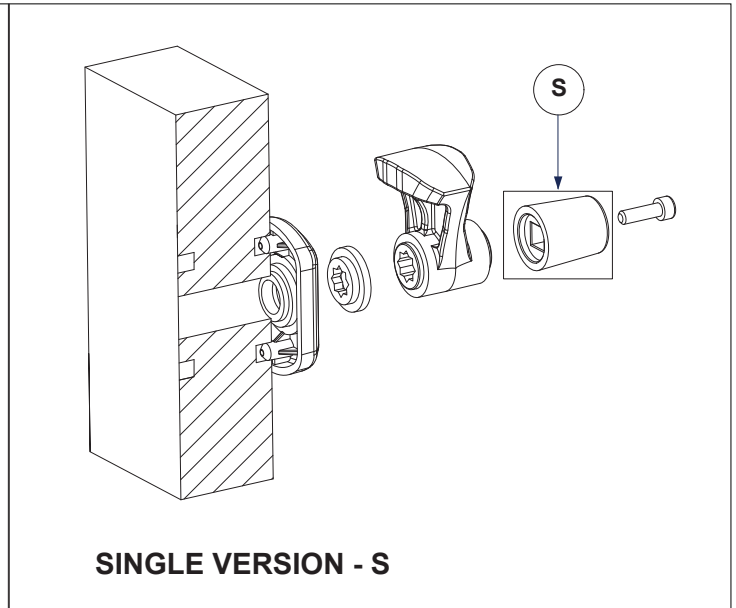
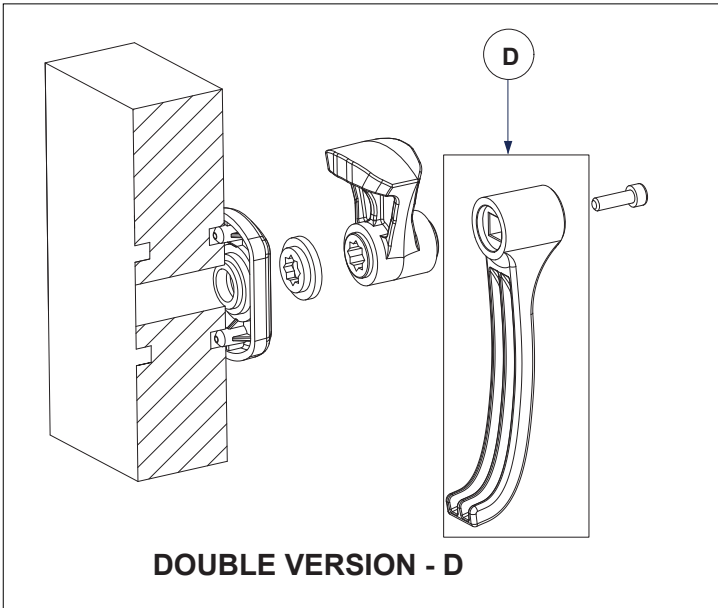


DN ISO 1

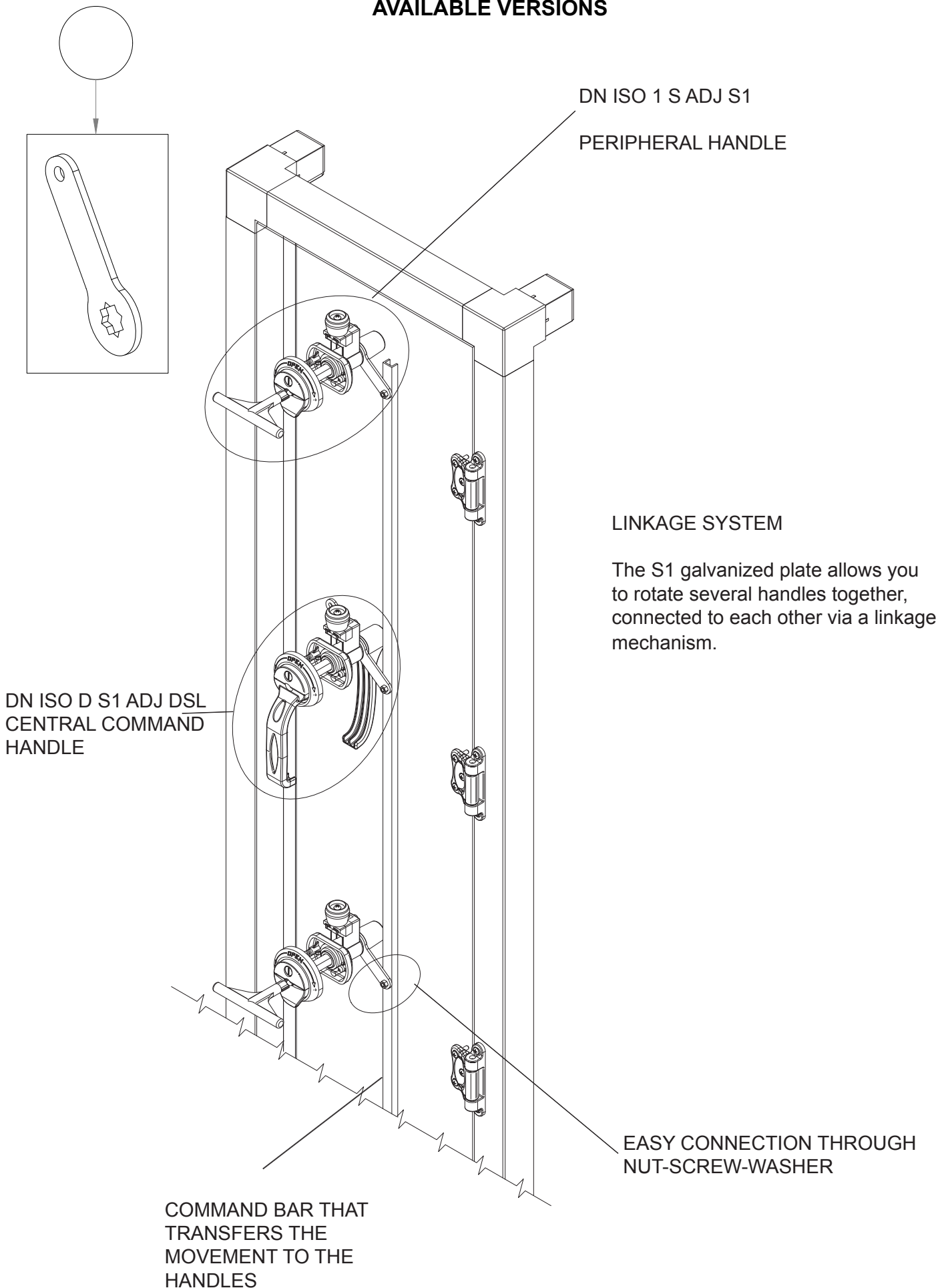
Box of 22 pcs.



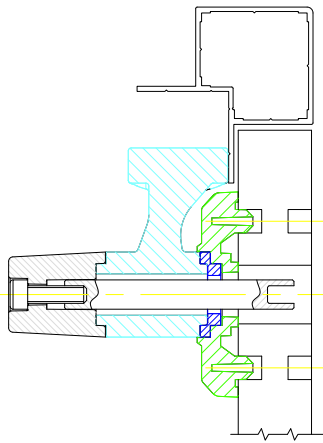
AVAILABLE VERSIONS



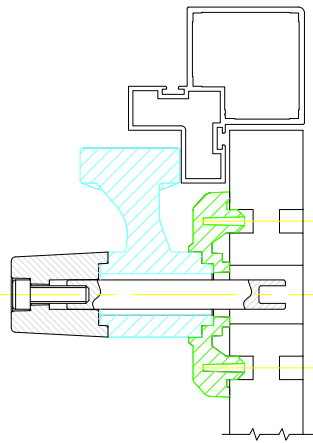
AVAILABLE VERSIONS



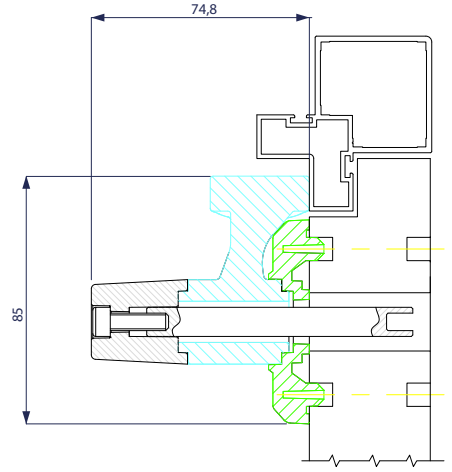
DRAWING SCHEME FOR HANDLE DN ISO / DN ISO - 1 - STANDARD LATCH



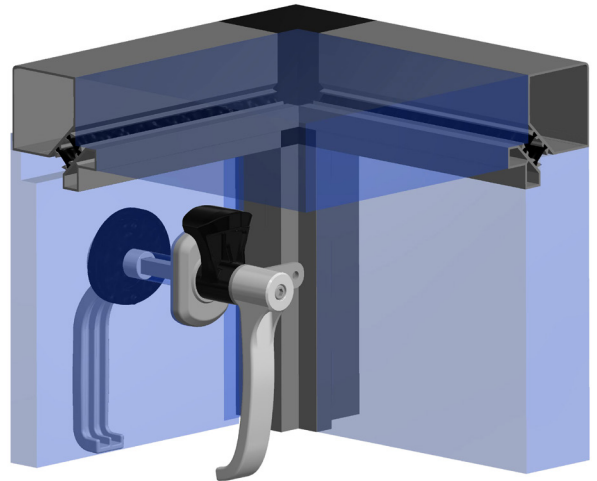
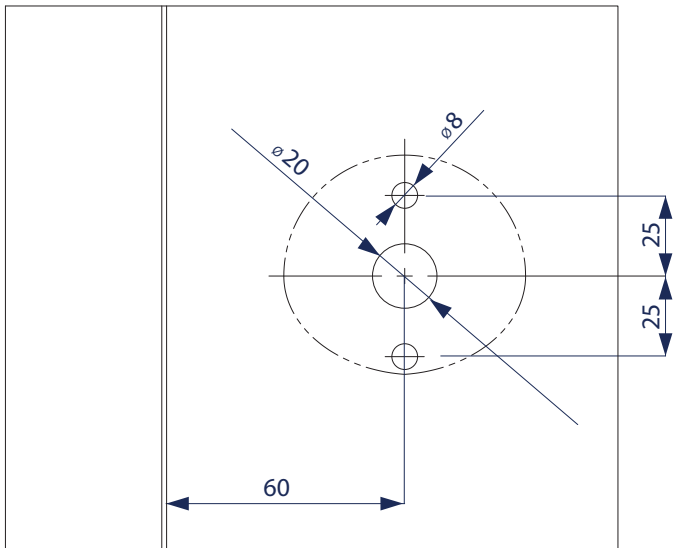
SINGLE FOLD PANEL
STANDARD PROFILE



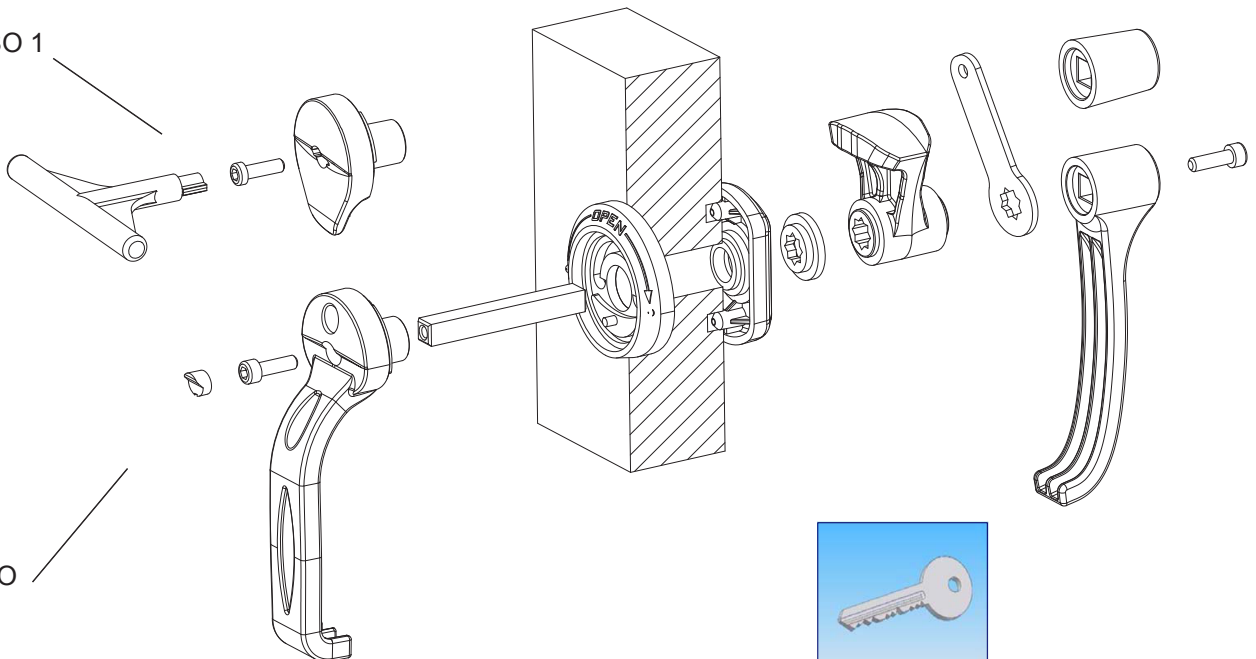
SINGLE FOLD PANEL
DOUBLE WALL PROFILE



DOUBLE FOLD PANEL
DOUBLE WALL PROFILE

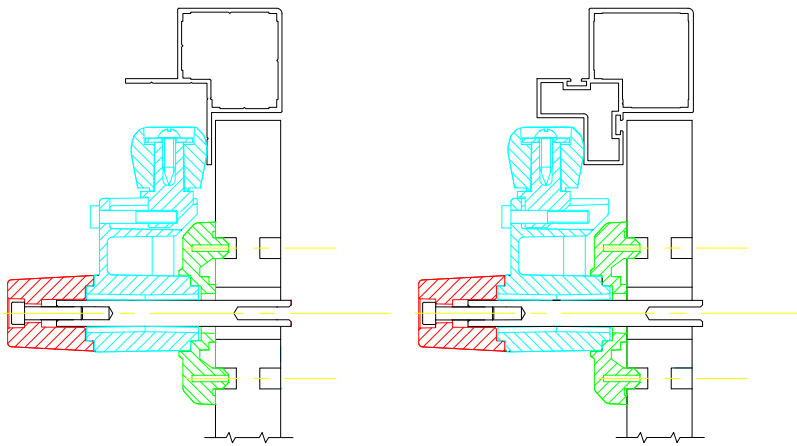


DN ISO 1



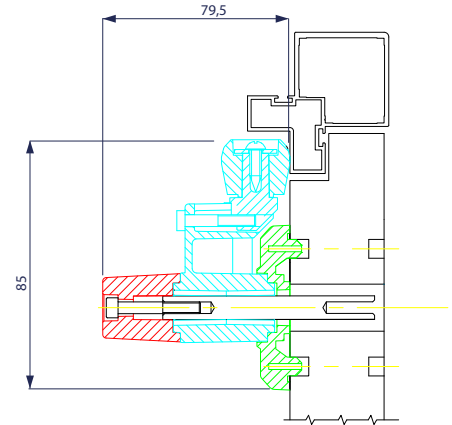
DN ISO

DRAWING SCHEME FOR DN ISO / DN ISO 1 - ADJ LATCH

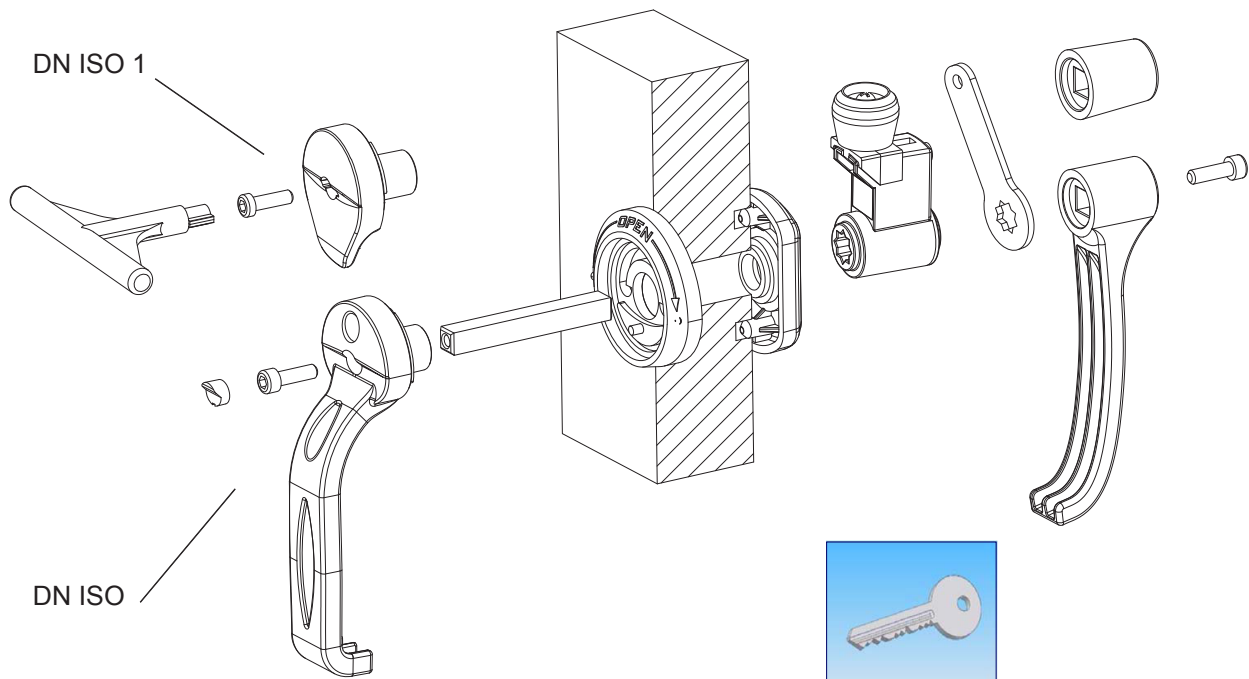
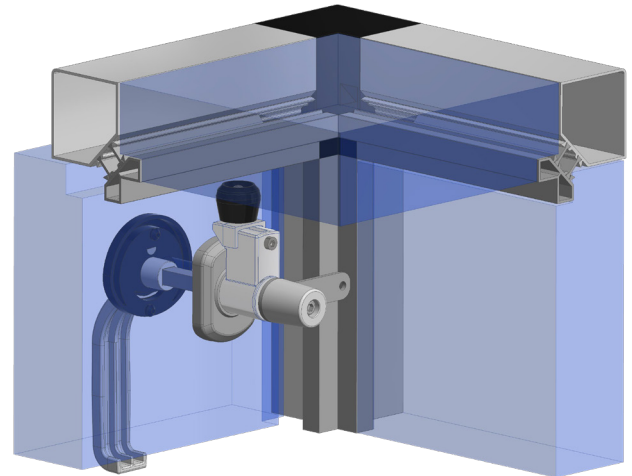
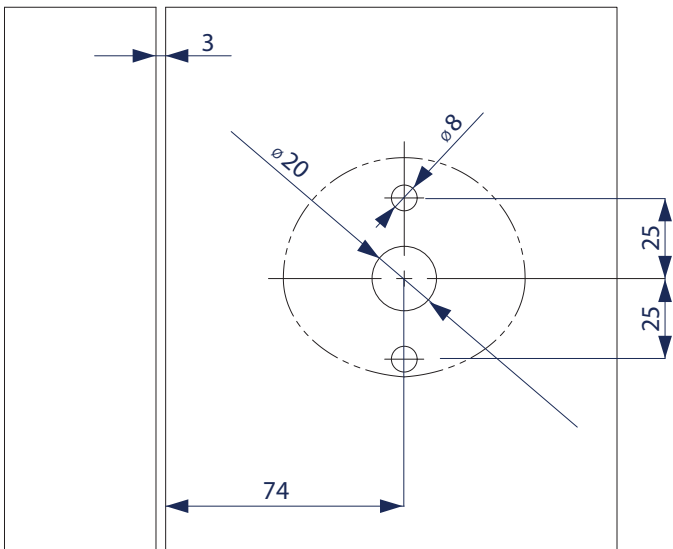


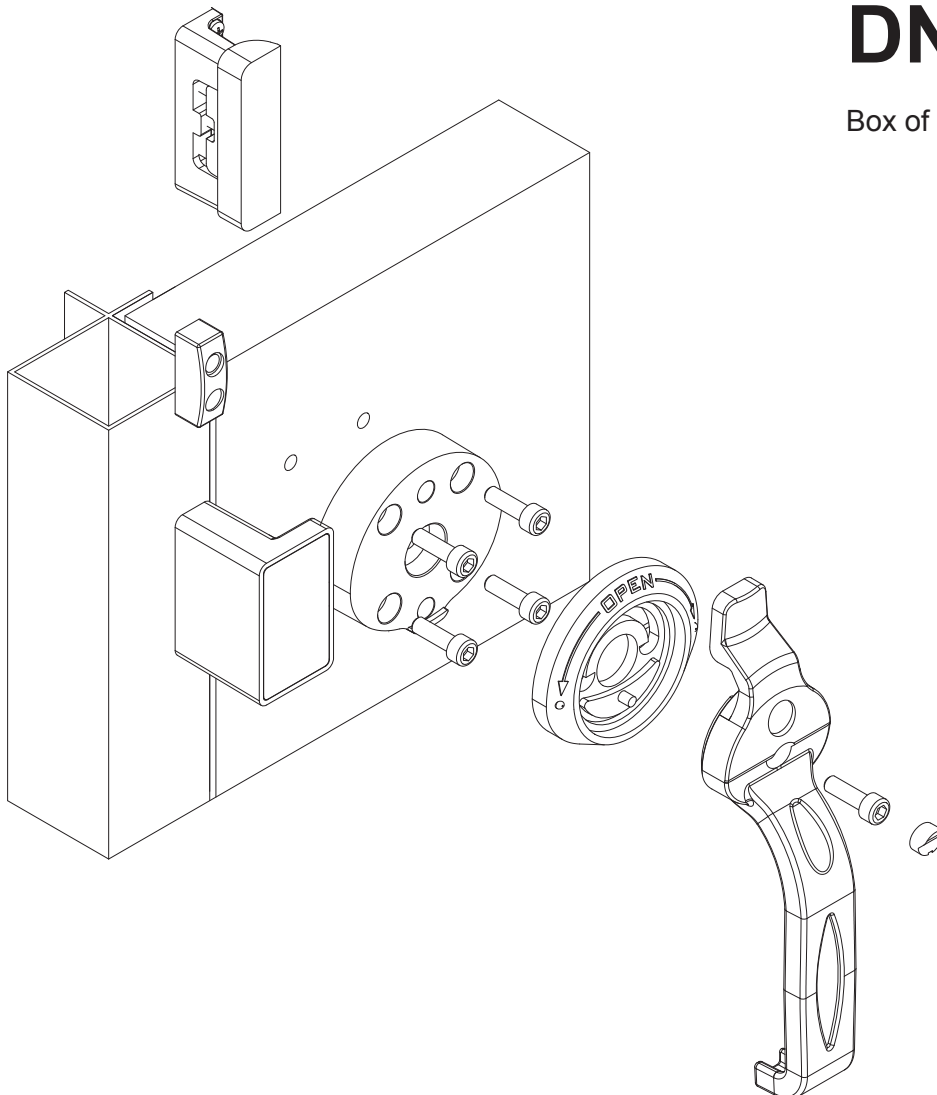
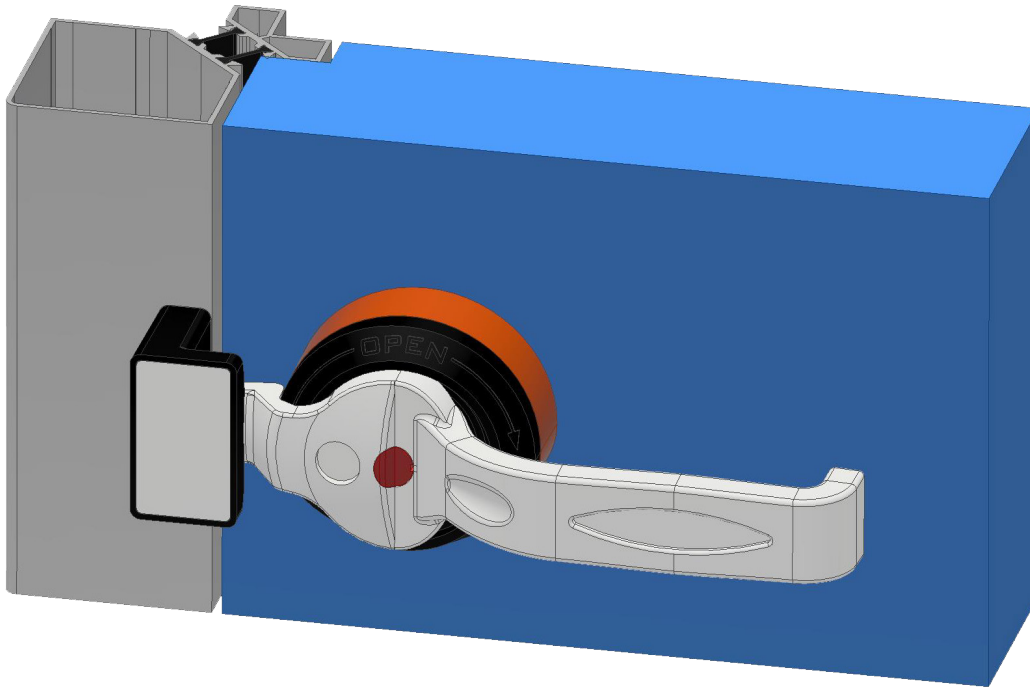
SINGLE FOLD PANEL
STANDARD PROFILE

SINGLE FOLD PANEL
DOUBLE WALL PROFILE



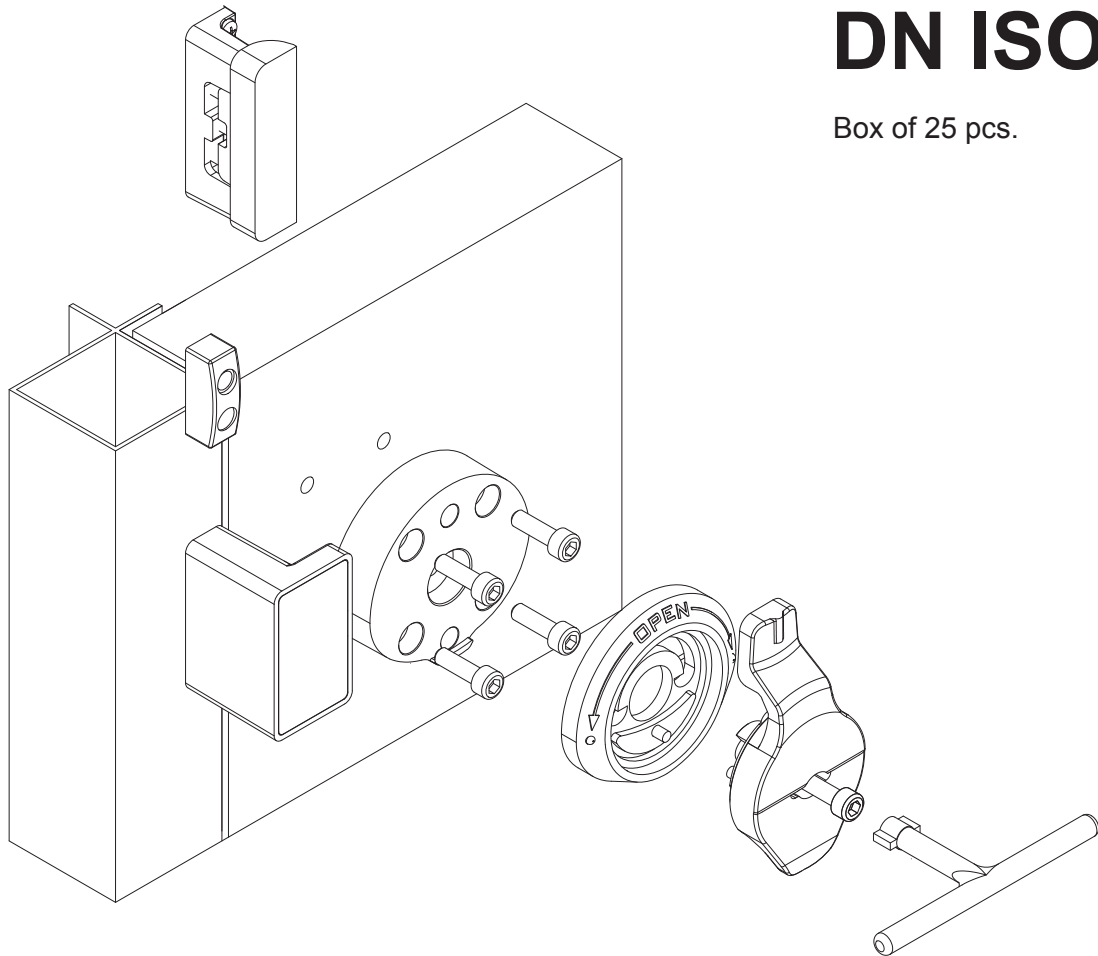
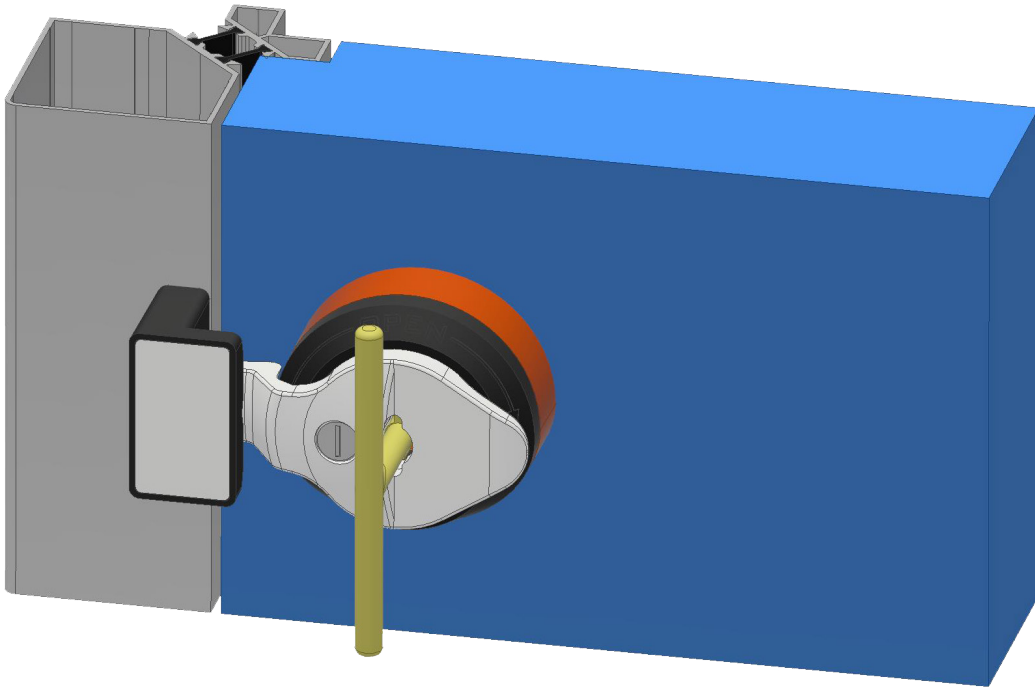
DOUBLE FOLD PANEL
DOUBLE WALL PROFILE





DN ISO-0

Box of 25 pcs.

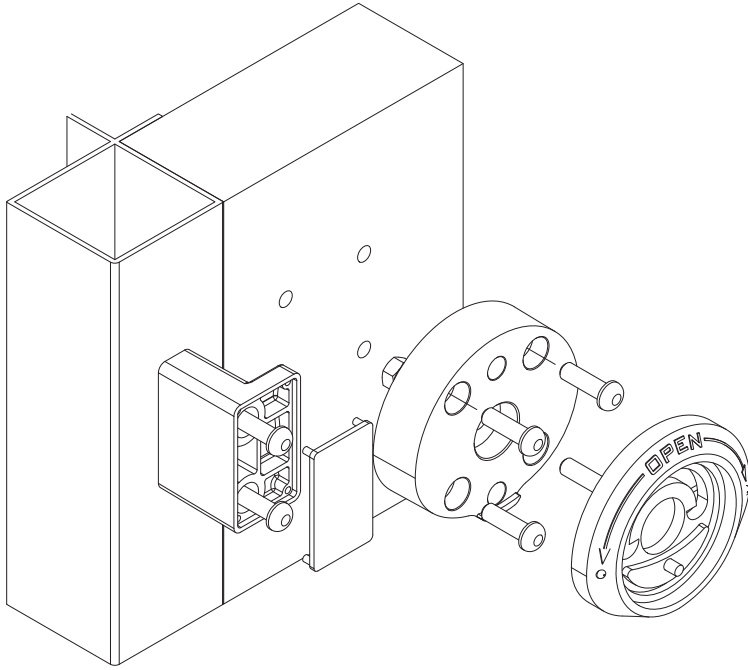


DN ISO-0 1

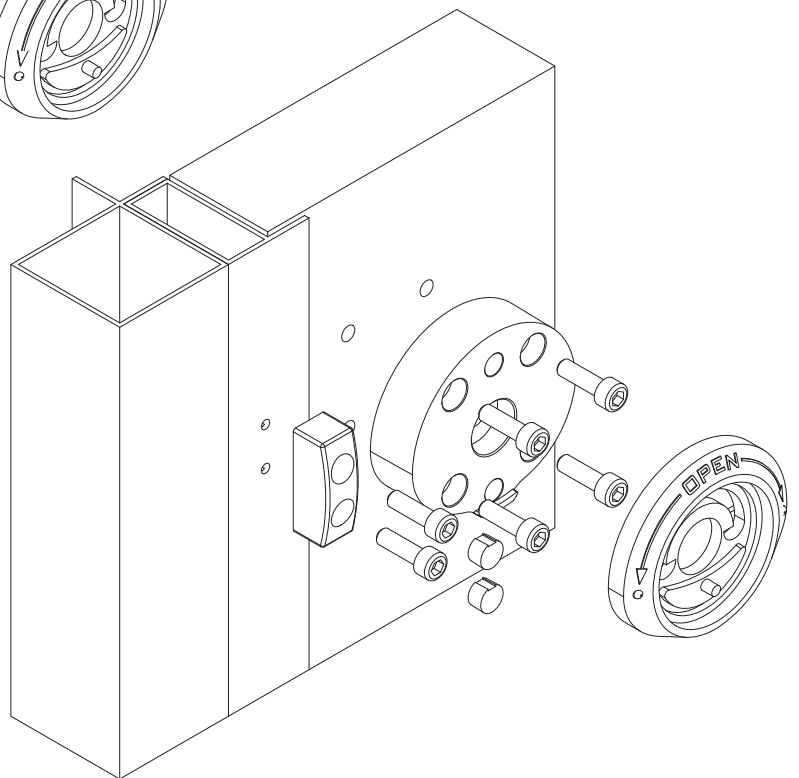
Box of 25 pcs.

AVAILABLE VERSIONS

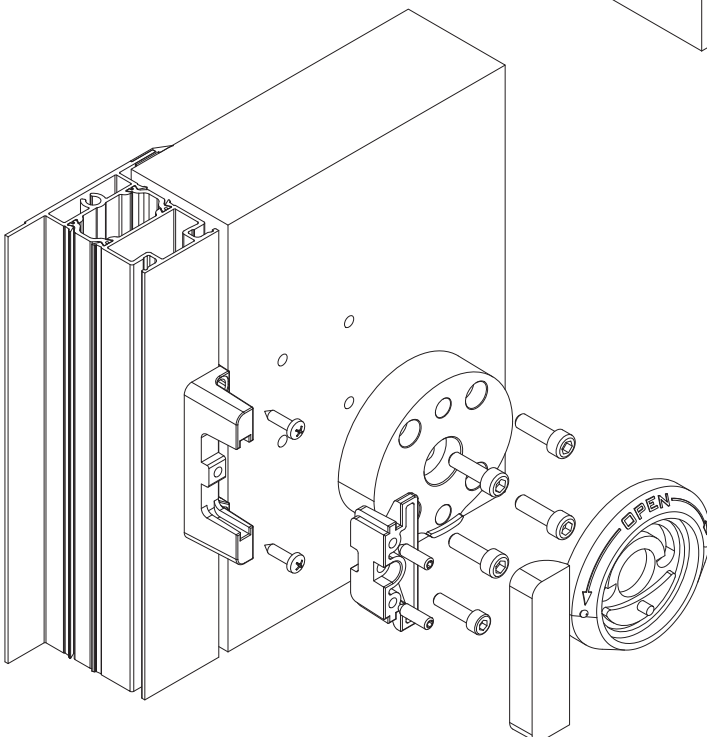
1. STANDARD VERSION

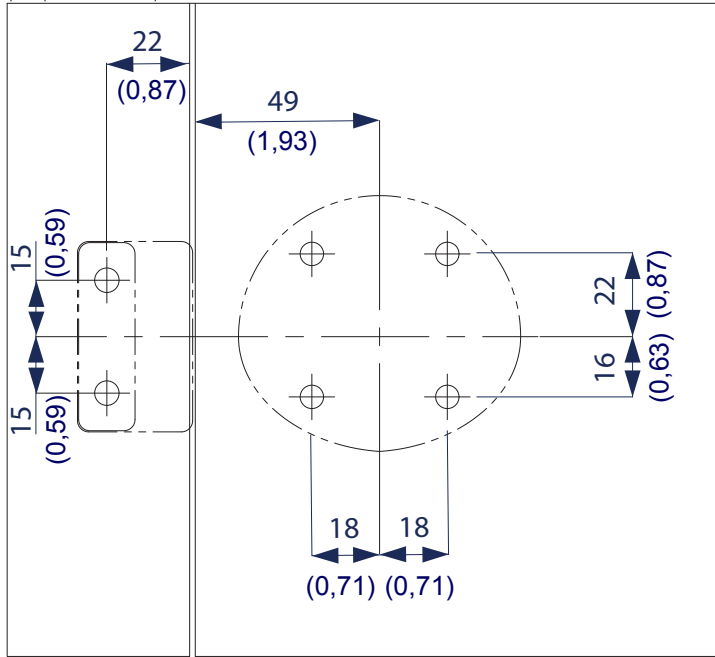


2. PRESSURE VERSION

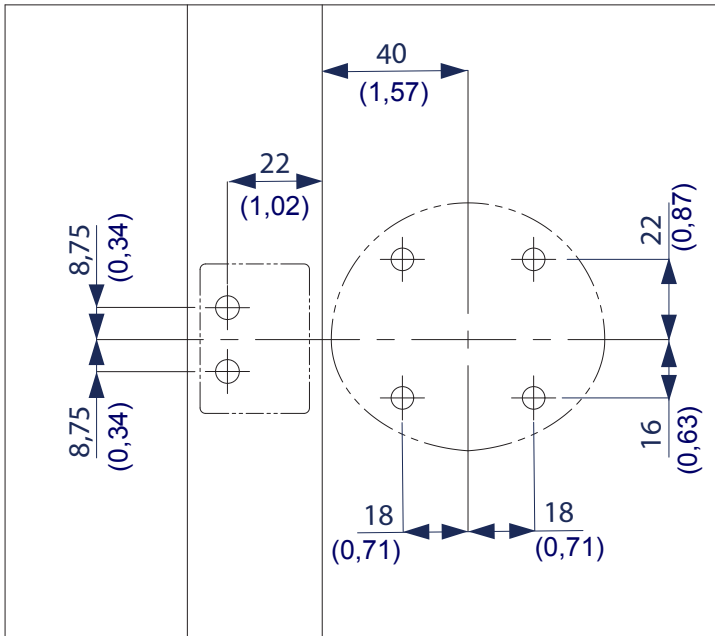
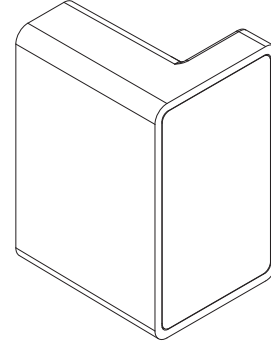


3. ADJ VERSION

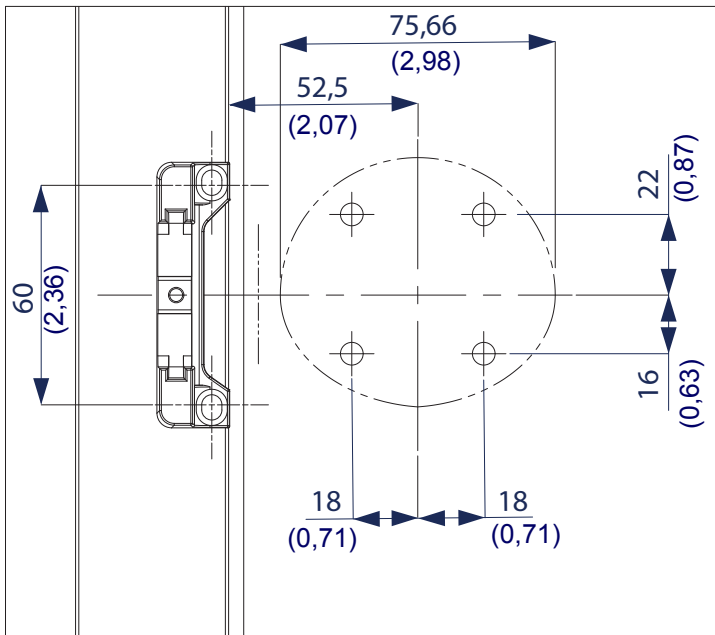
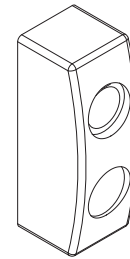




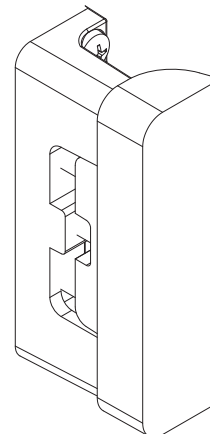
**DRILLING DRAWING
STANDARD VERSION**



**DRILLING SCHEME
PRESSURE SYSTEM**



**DRILLING SCHEME
ADJ SYSTEM**



Code	Description	Pin (mm)
DN ISO (1) 20/40 S (P)	Handle for panel 20÷40, SI	89
DN ISO (1) 45/60 S (P)	Handle for panel 45÷60, SI	109
DN ISO (1) 20/40 D (P)	Handle for panel 20÷40, IH-SI	89
DN ISO (1) 45/60 D (P)	Handle for panel 45÷60, IH-SI	109
DN ISO (1) 20/40 S-S1 (P)	Handle for panel 20÷40, SD, SI	89
DN ISO (1) 45/60 S-S1 (P)	Handle for panel 45÷60, SD, SI	109
DN ISO (1) 20/40 D-S1 (P)	Handle for panel 20÷40, IH, SD, SI	89
DN ISO (1) 45/60 D-S1 (P)	Handle for panel 45÷60, IH-SI-SD	109
DN ISO (1) 20/40 K-S (P)	Handle for panel 20÷40, key, SI	89
DN ISO (1) 45/60 K-S (P)	Handle for panel 45÷60, key, SI	109
DN ISO (1) 20/40 K-D (P)	Handle for panel 20÷40, key, IH, SI	89
DN ISO (1) 45/60 K-D (P)	Handle for panel 45÷60, key, IH, SI	109
DN ISO (1) 20/40 K-S-S1 (P)	Handle for panel 20÷40, padlockable, SD,SI	89
DN ISO (1) 45/60 K-S-S1 (P)	Handle for panel 20÷40, padlockable, SD, SI	109
DN ISO (1) 20/40 K-D-S1 (P)	Handle for panel 20÷40, key, IH-SI	89
DN ISO (1) 45/60 K-D-S1 (P)	Handle for panel 45÷60, key, IH, SI	109
DN ISO (1) 20/25 S-S1 ADJ	Handle for panel 20÷25, SI-RL	89
DN ISO (1) 40/50 S-S1 ADJ	Handle for panel 45÷60, SI-RL	109
DN ISO (1) 60/70 S-S1 ADJ	Handle for panel 60÷70, SI-RL	129
DN ISO (1) 20/25 D-S1 ADJ	Handle for panel 20÷25, IH-SI-RL	89
DN ISO (1) 40/50 D-S1 ADJ	Handle for panel 40÷50, IH-SI-RL	109
DN ISO (1) 60/70 D-S1 ADJ	Handle for panel 60÷70, IH-SI-RL	129
DN ISO (1) 20/25 KSS1 ADJ	Handle for panel 20÷25, key, SI-RL	89
DN ISO (1) 40/50 KSS1 ADJ	Handle for panel 40÷50, key, SI-RL	109
DN ISO (1) 60/70 KSS1 ADJ	Handle for panel 60÷70, key, SI-RL	129
DN ISO (1) 20/25 KDS1 ADJ	Handle for panel 20÷25, key, IH-SI-RL	89
DN ISO (1) 40/50 KDS1 ADJ	Handle for panel 40÷50, key, IH-SI-RL	109
DN ISO (1) 60/70 KDS1 ADJ	Handle for panel 60÷70, key, IH-SI-RL	129

ABBREVIATION USED
 (1) = Knob version with removable key
 SI = Screws Included
 IH = Internal Handle
 SD = Security Device for positive pressure
 RL = Adjustable Rotating Latch
 (P) = Padlockable version
 DSL = Linkage device

Code	Description	Packing
DN ISO-0	External handle for TB, SI	25 Pcs.
DN ISO-0 K	External handle with key for TB, SI	25 Pcs.
DN ISO-0 P	External handle for doors in pressure, SI	25 Pcs.
DN ISO-0 P-K	External handle for doors in pressure,with key, SI	25 Pcs.
DN ISO-0 1	External lock, (TB), SI	25 Pcs.
DN ISO-0 1 K	External lock with key, (TB), SI	25 Pcs.
DN ISO-0 1 P	External lock for panel in pressure, SI	25 Pcs.
DN ISO-0 1 P K	External lock with key for panels in pressure, SI	25 Pcs.
DN ISO-0 ADJ	External handle with adjustable aluminium latch, TB, SI	25 Pcs.
DN ISO-0 K ADJ	External handle with key with adjustable latch, TB, SI	25 Pcs.
DN ISO-0 1 ADJ	External lock with adjustable aluminium latch, TB, SI	25 Pcs.
DN ISO-0 1 K ADJ	External lock with key with adjustable latch; TB, SI	25 Pcs.

ABBREVIATION USED

SI = Screws Included

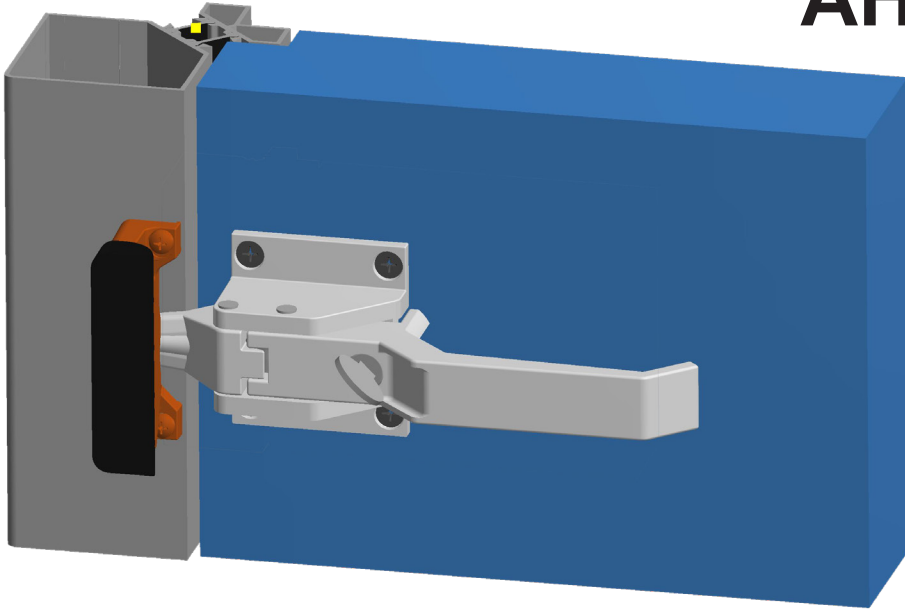
IH = Internal Handle

SD = Security Device for positive pressure

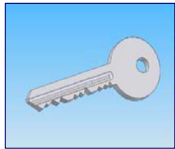
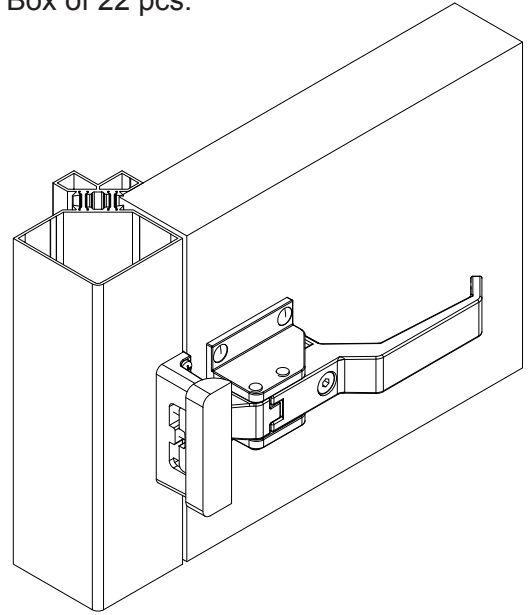
RL = Rotating Latch

TB = specific for Thermal Break system

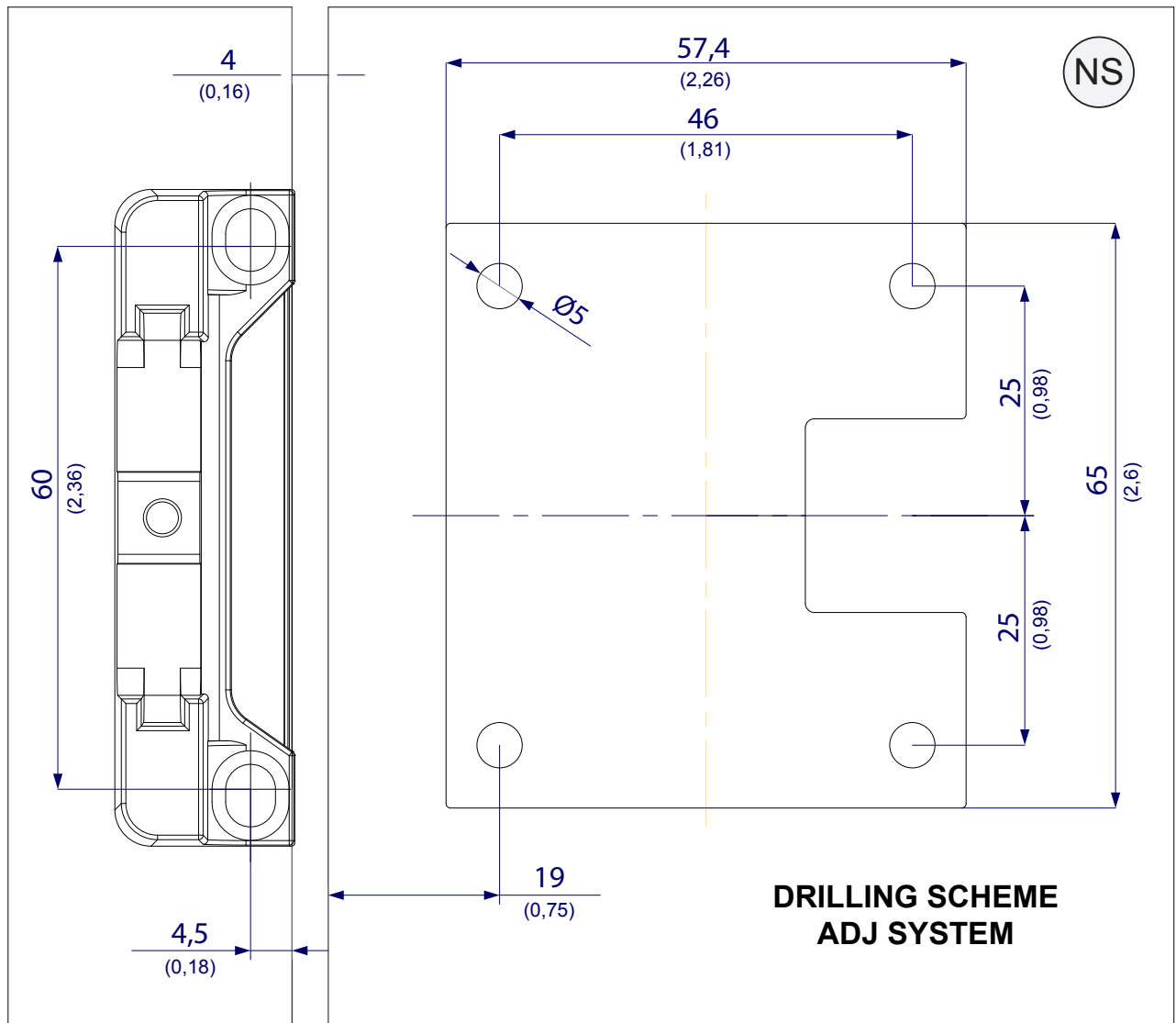
AH DN ISO-0 ADJ

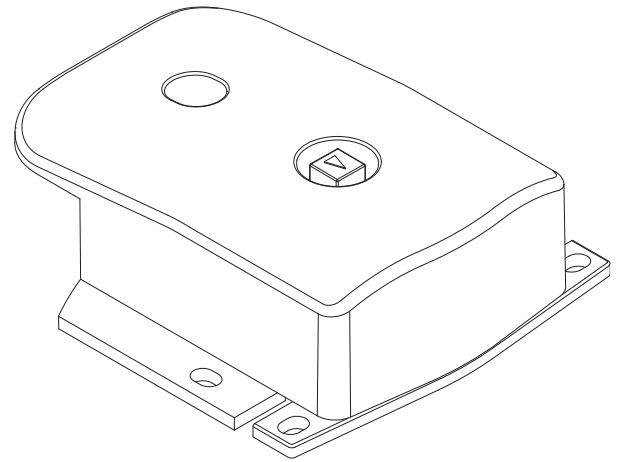
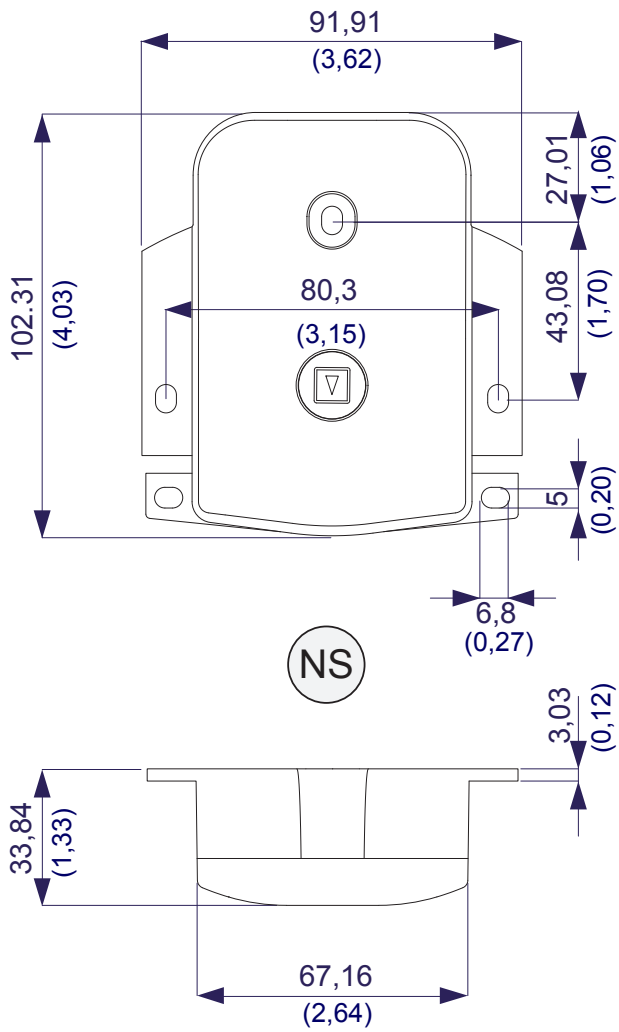


Box of 22 pcs.

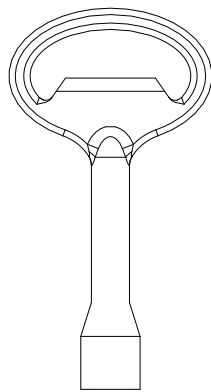


AH DN ISO-0 K ADJ

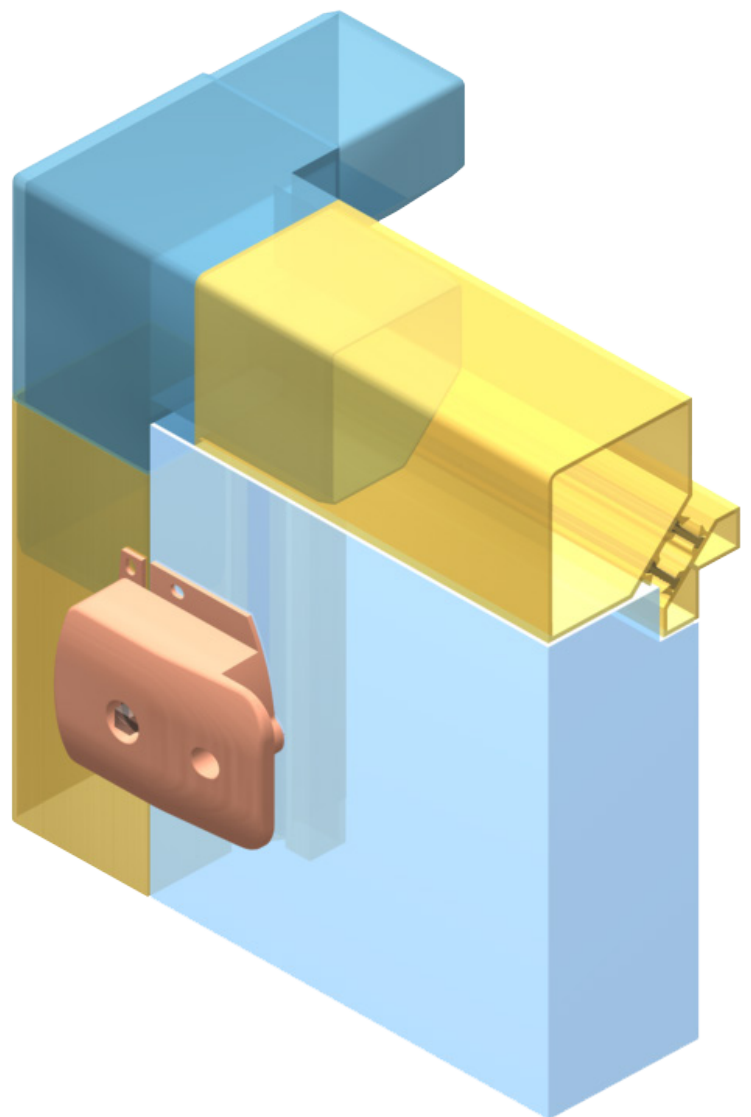




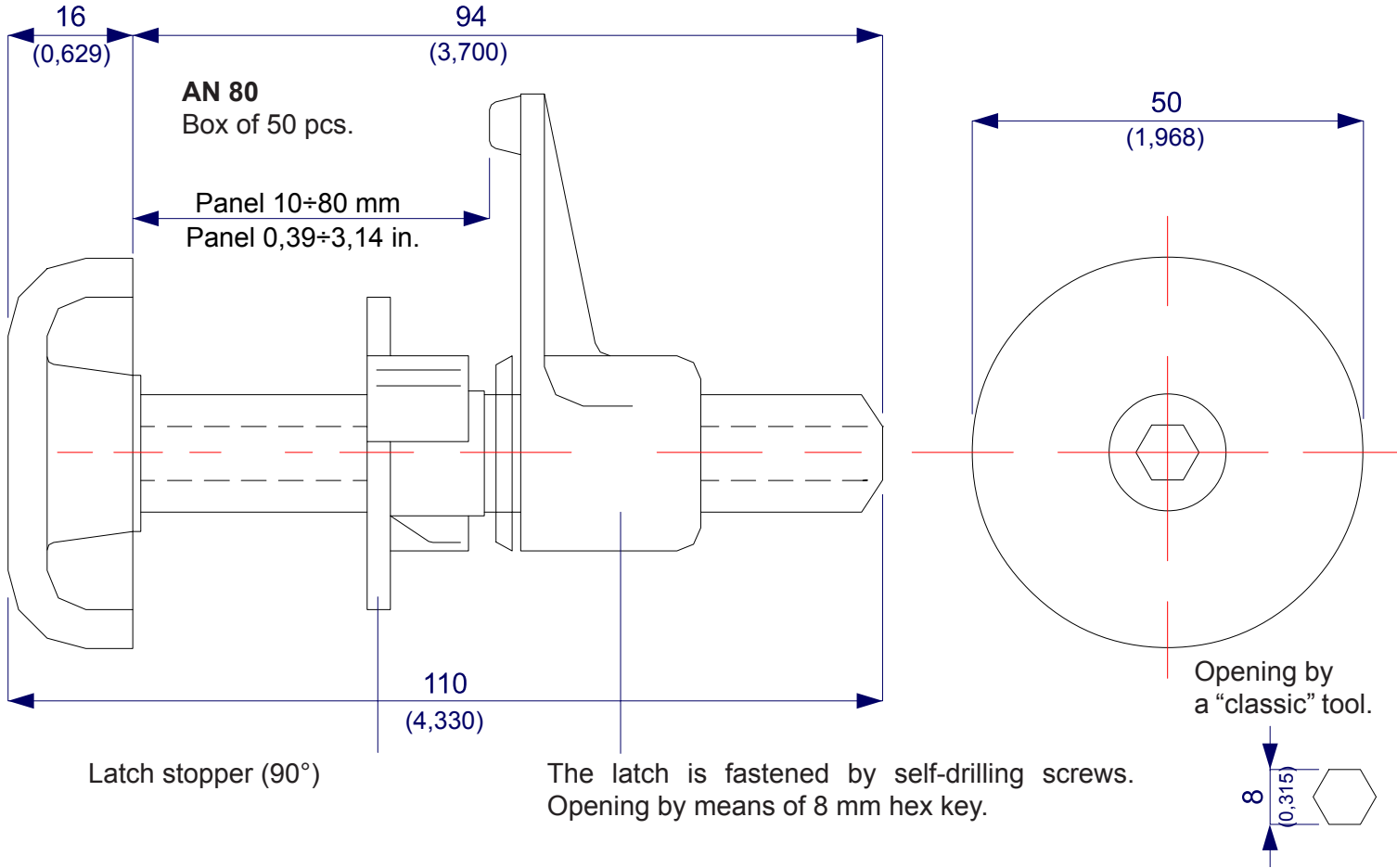
A 85-0
Zamak external handle
painted black



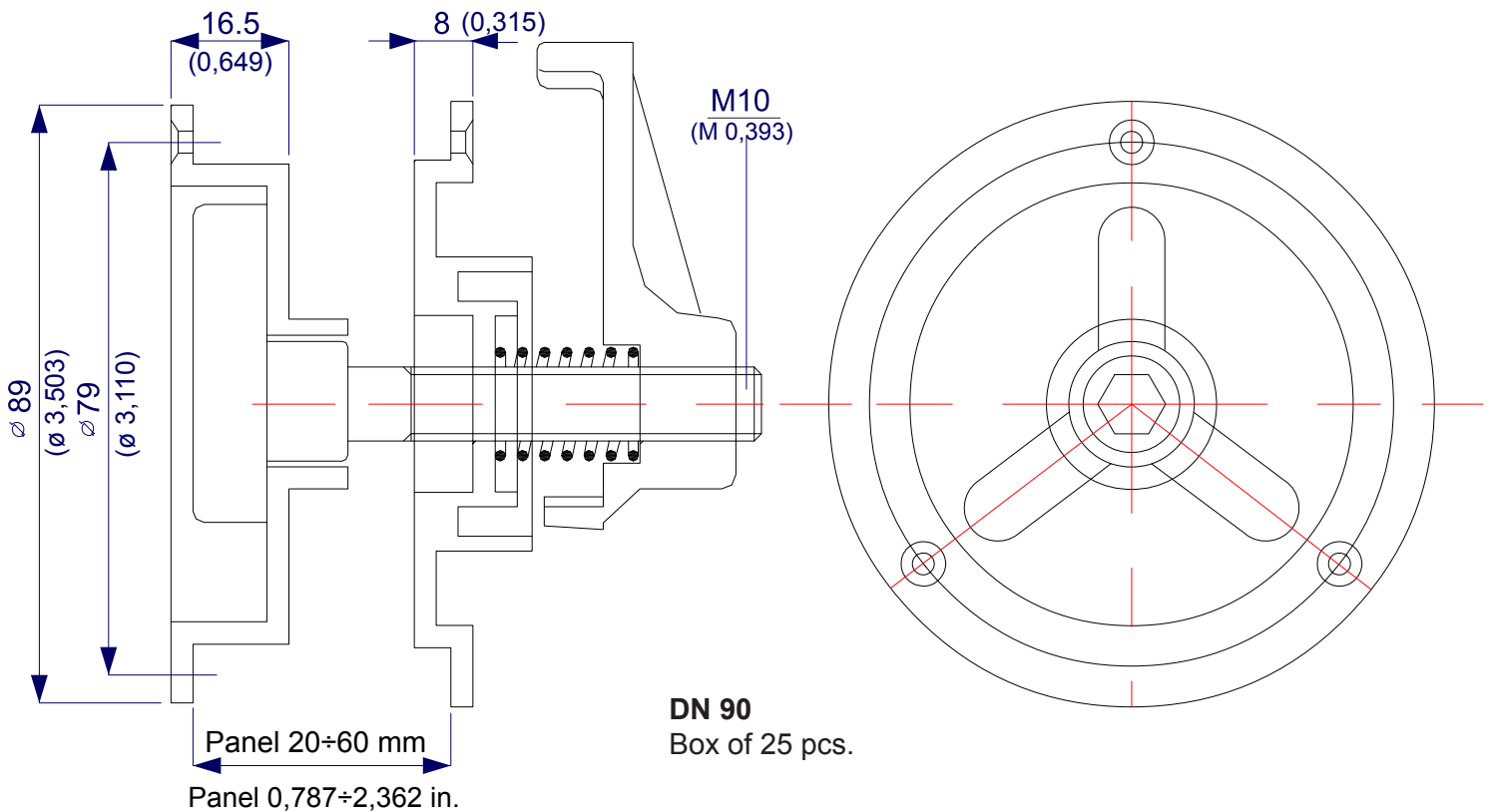
AZ K1
Zamak key



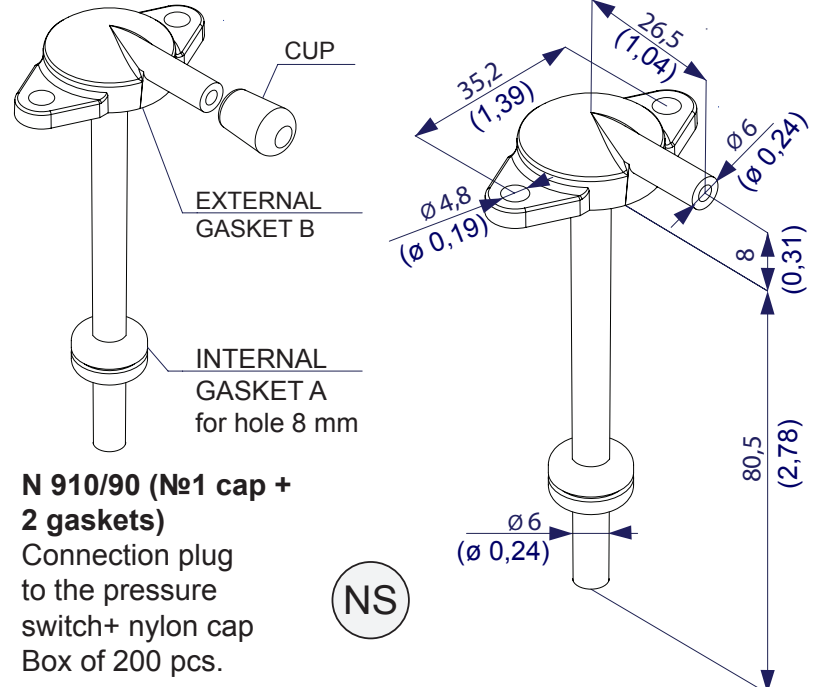
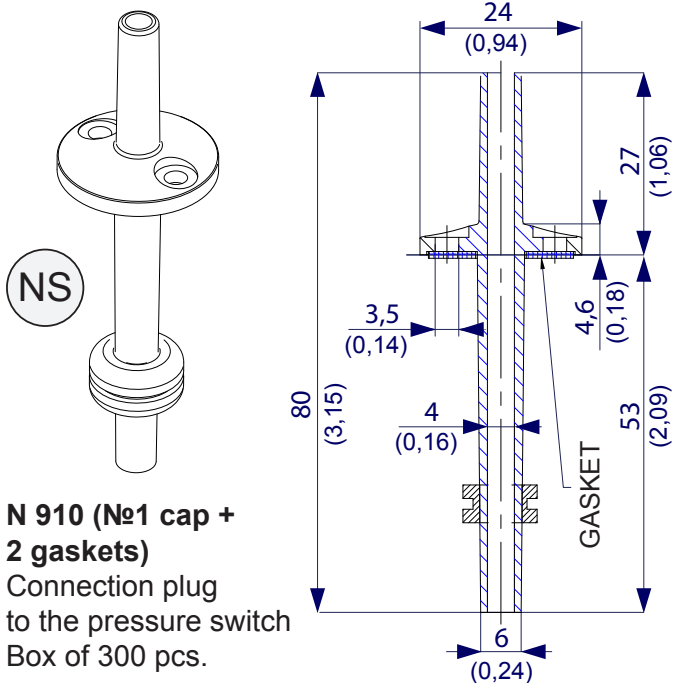
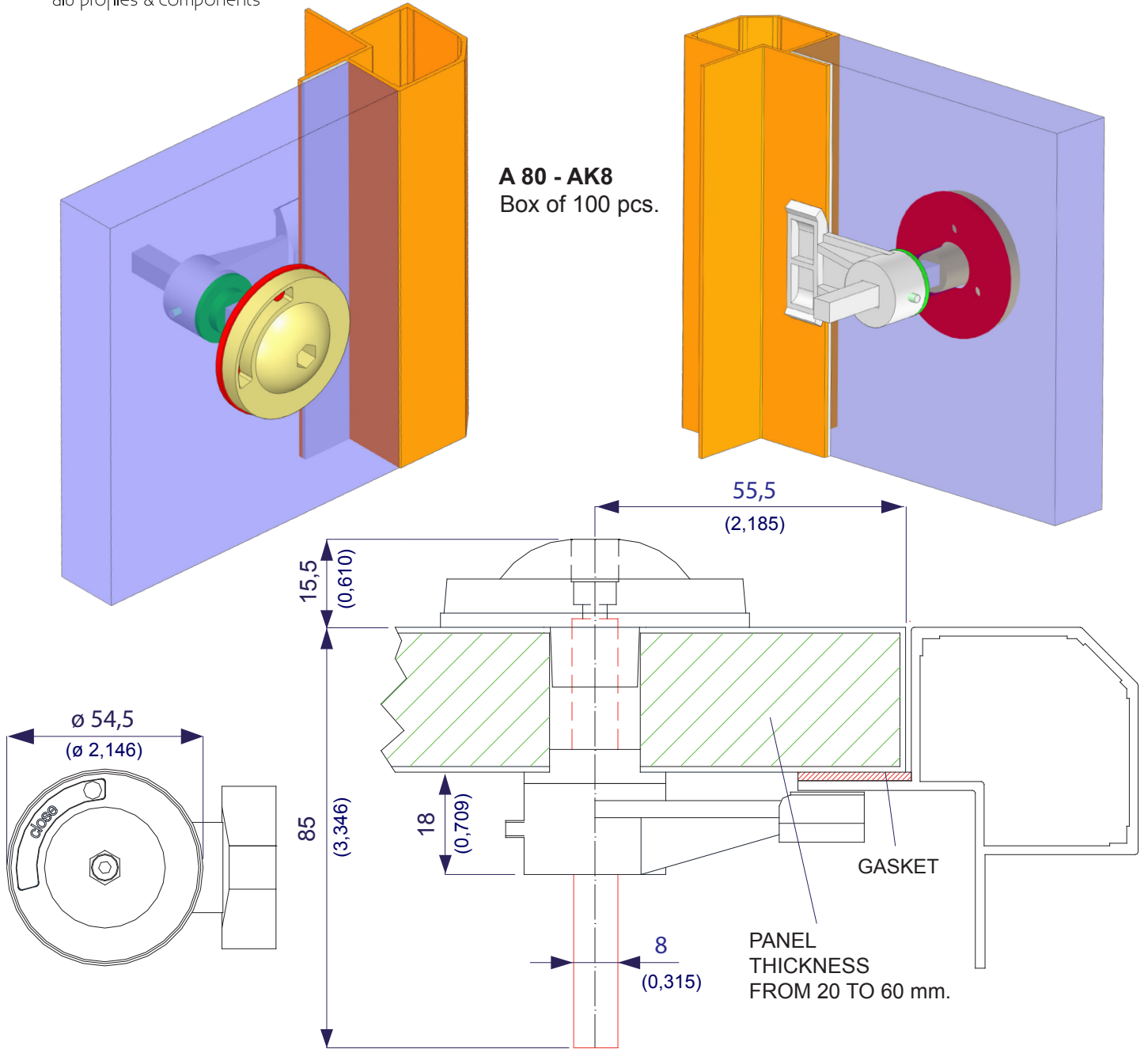
Nylon lock with aluminium pin



Flat lock (handle in line with the panel)

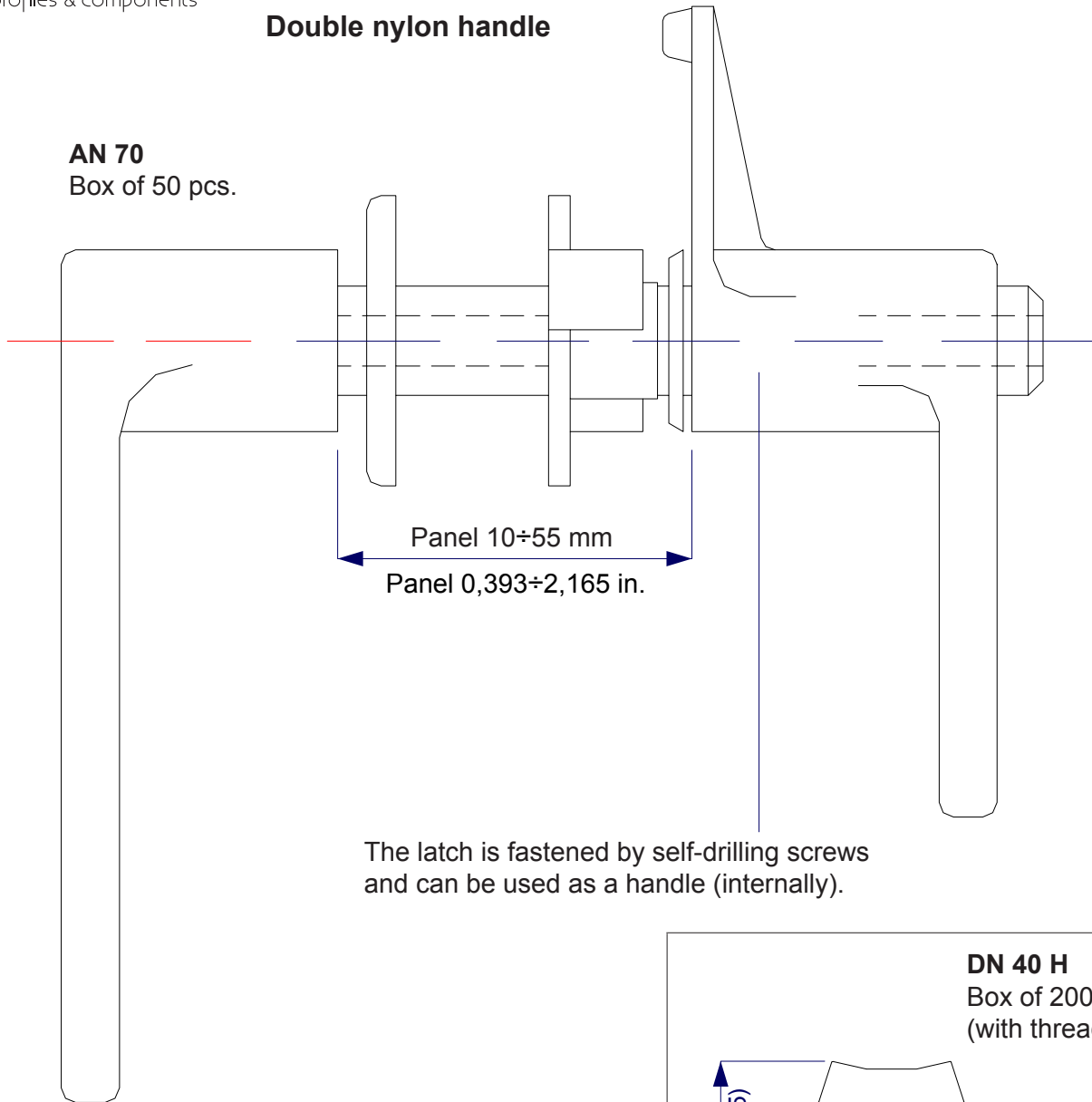


A 80 - AK8
Box of 100 pcs.



Double nylon handle

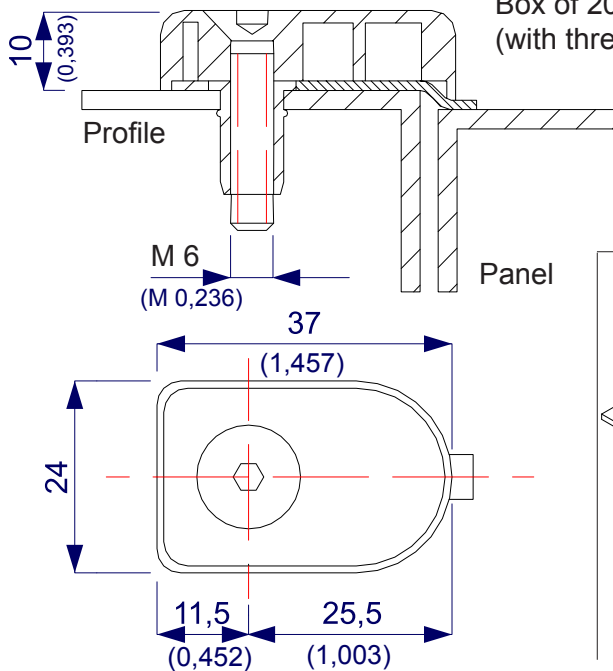
AN 70
Box of 50 pcs.



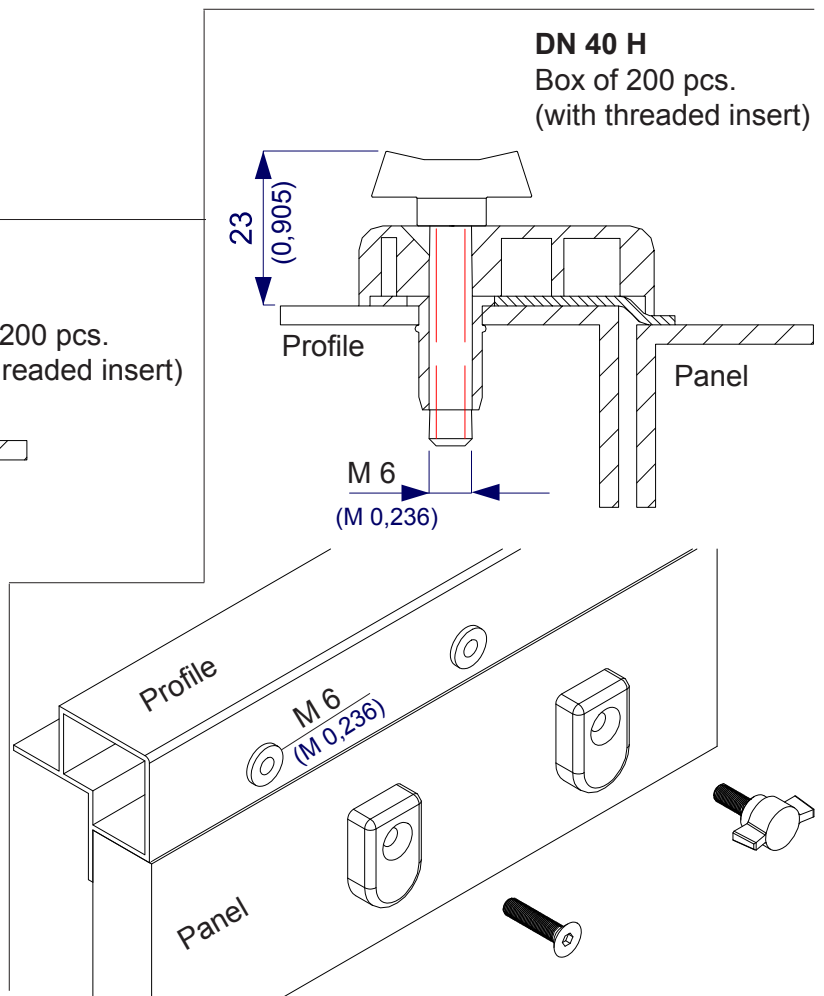
The latch is fastened by self-drilling screws and can be used as a handle (internally).

Nylon panel stop

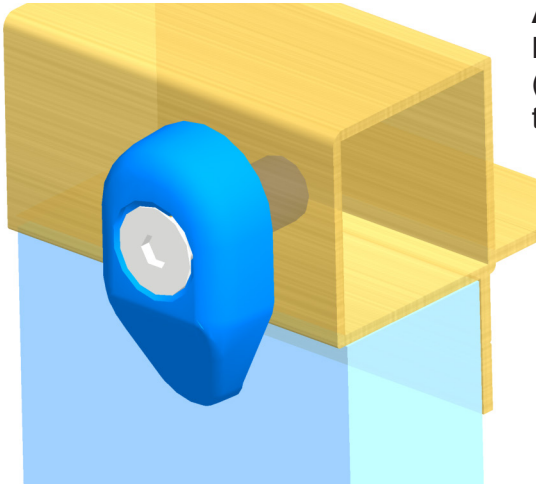
DN 40
Box of 200 pcs.
(with threaded insert)



DN 40 H
Box of 200 pcs.
(with threaded insert)

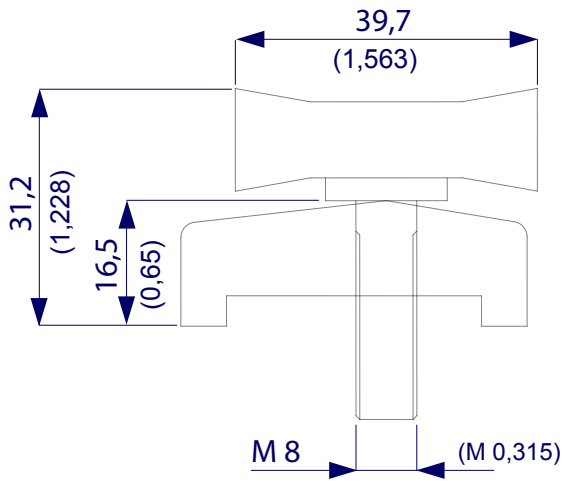
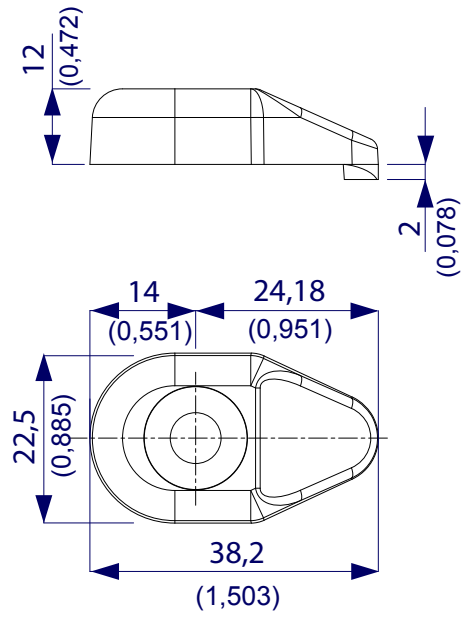


Aluminium panel stop



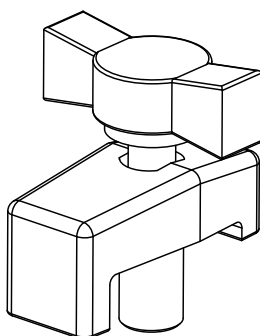
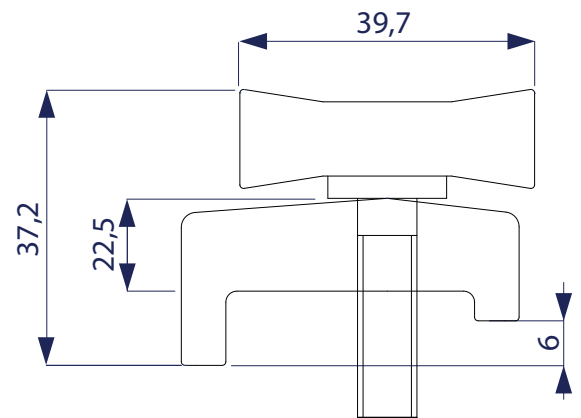
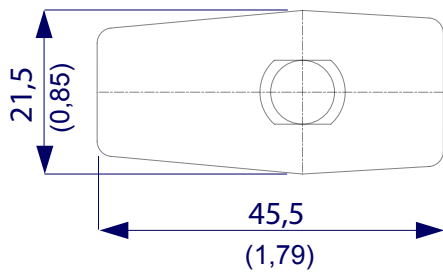
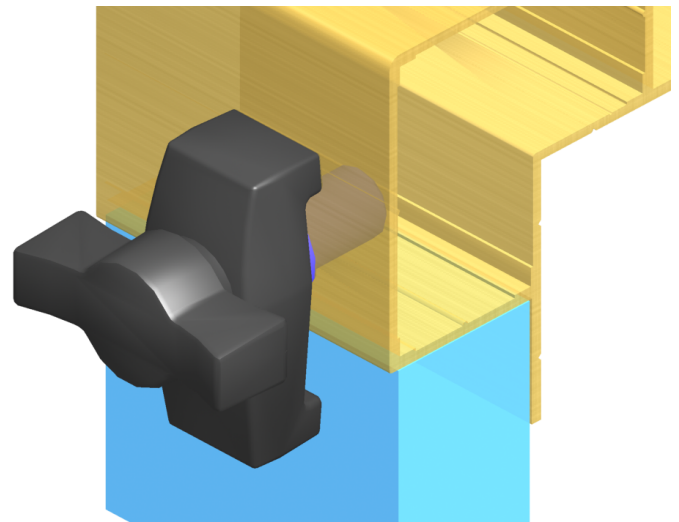
A 40
Box of 400 pcs.
(Complete threaded insert)

with

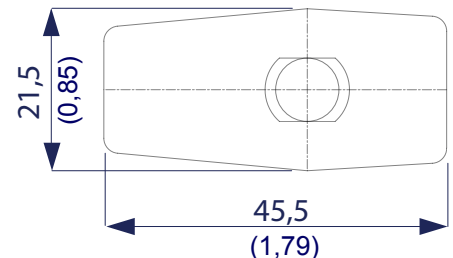


DN 42

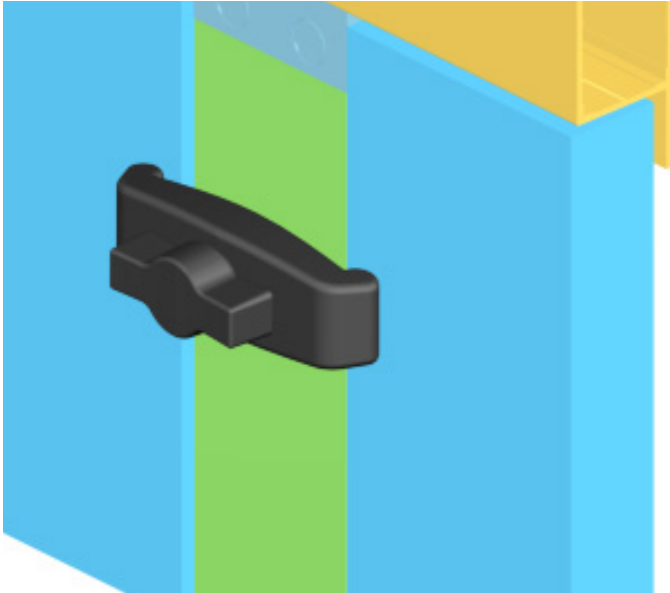
Box of 300 pcs.
(Complete with threaded insert)



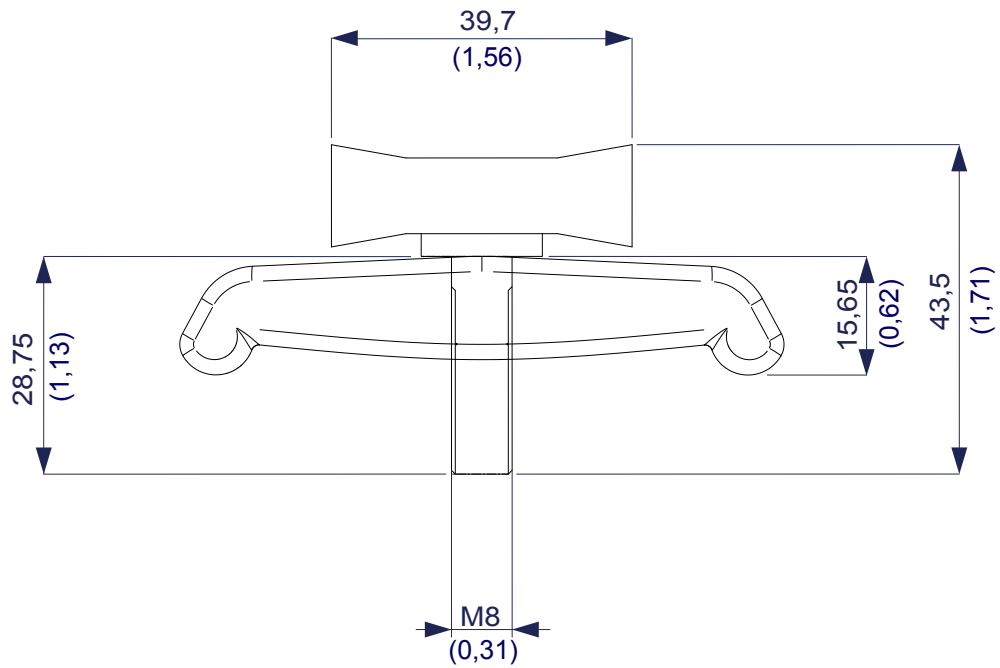
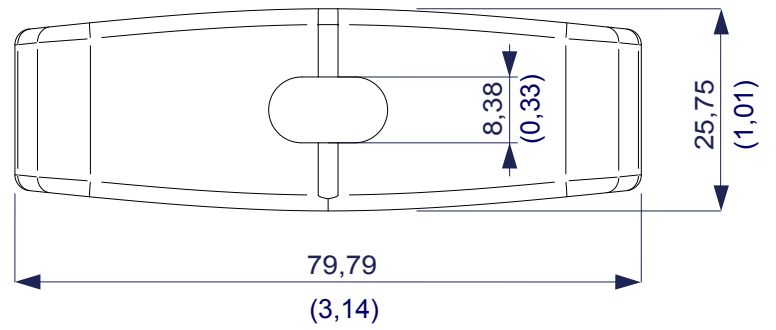
DN 42 PS
Box of 300 pcs.
(Complete with threaded insert)



Aluminium panel stop



DN 42 D
Box of 300 pcs.



Double handle available for panels of thickness from 14 mm to 54 mm

Keep a gap of 2 mm (0,78 in.) between panel and profile

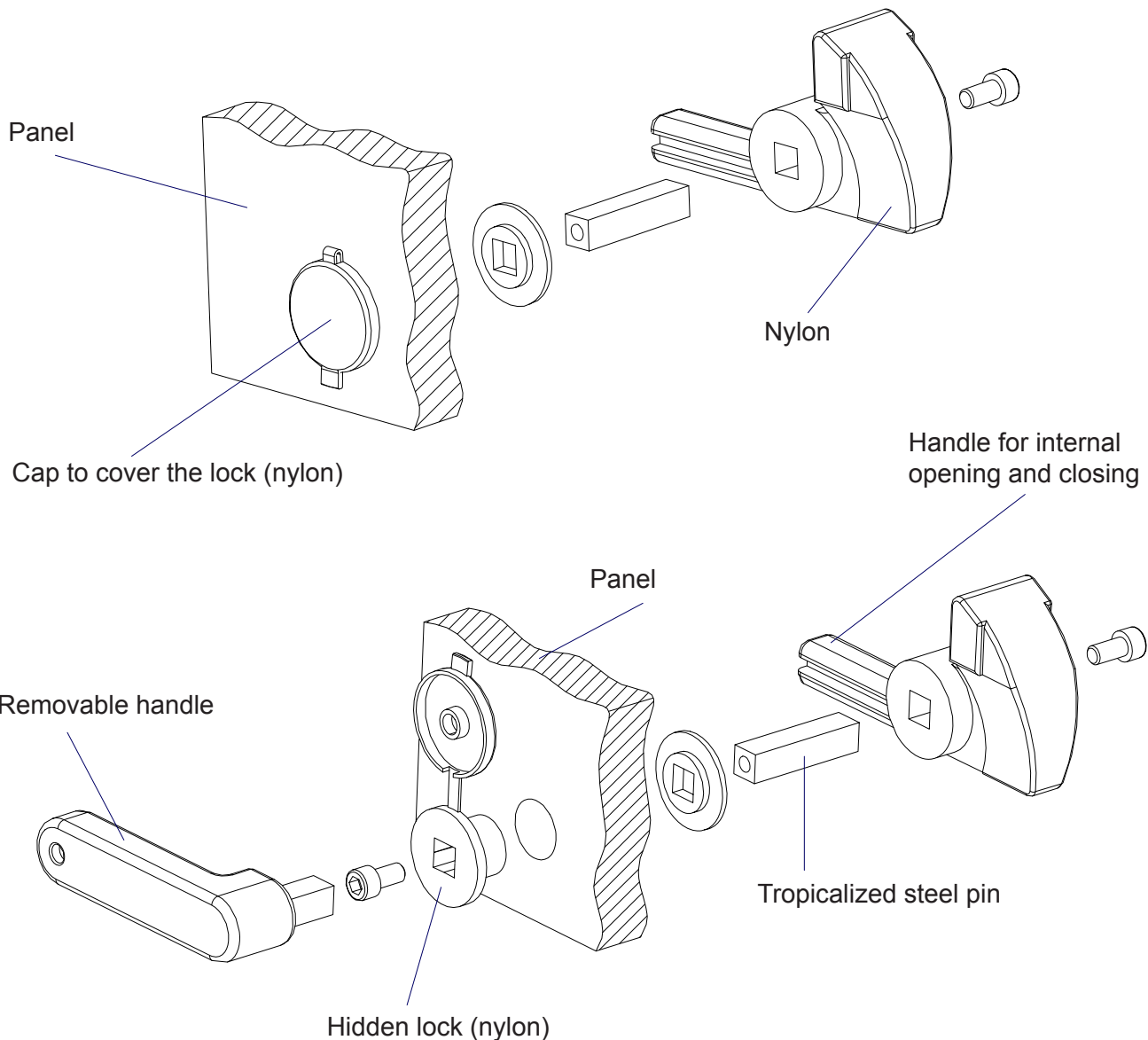
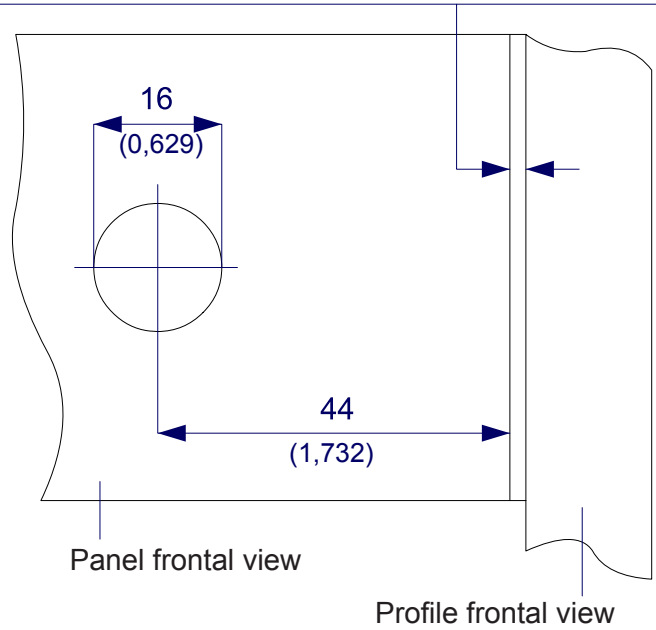
DN SF 14-17 Lock Box of 50 pcs.

DN SF 19-23 Lock Box of 50 pcs.

DN SF 23-26 Lock Box of 50 pcs.

DN SF 43-48 Lock Box of 50 pcs.

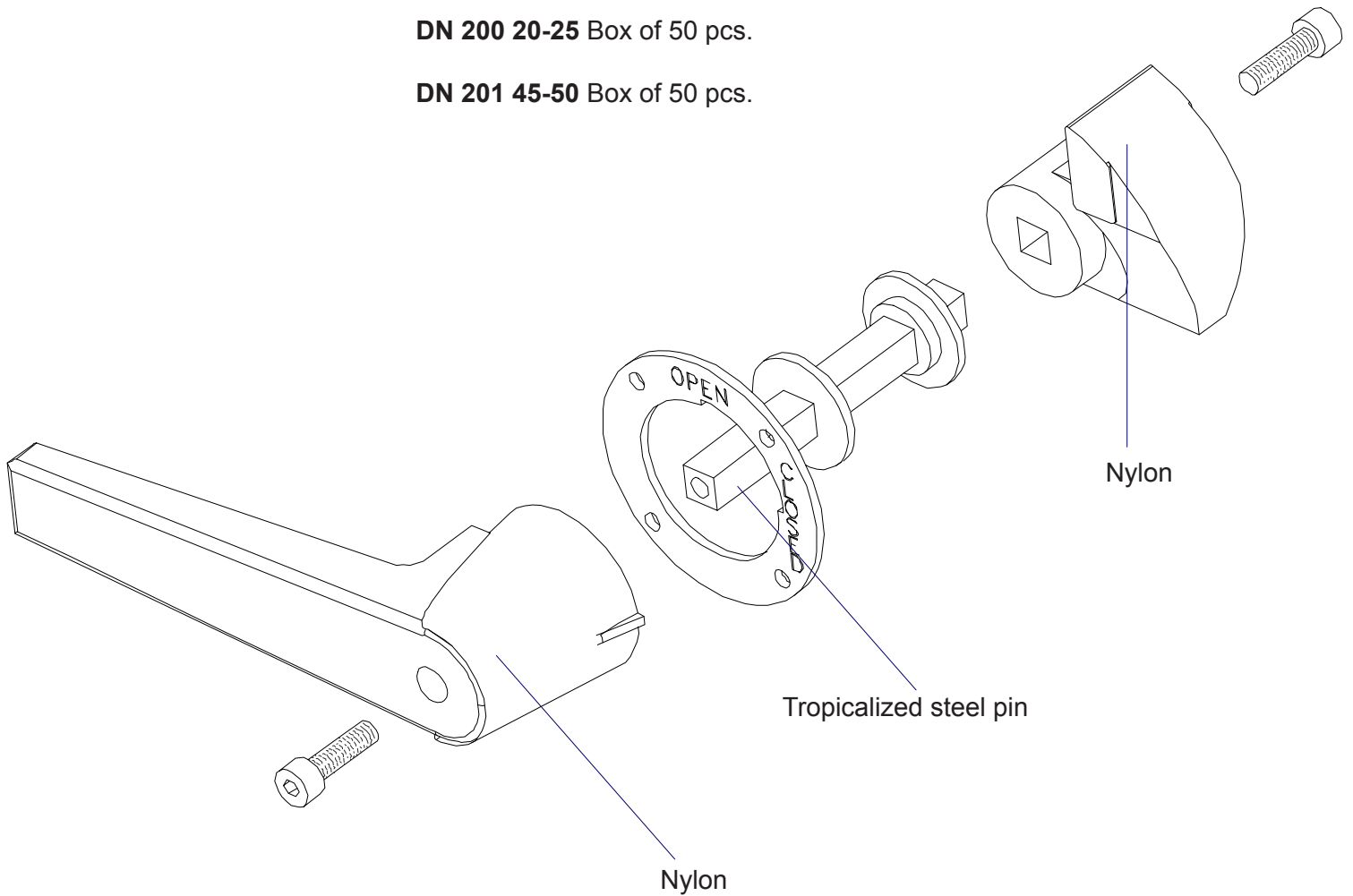
DN SF 49-54 Lock Box of 50 pcs.



Nylon handle for panels of thickness: 20 / 25 / 45 / 50 mm

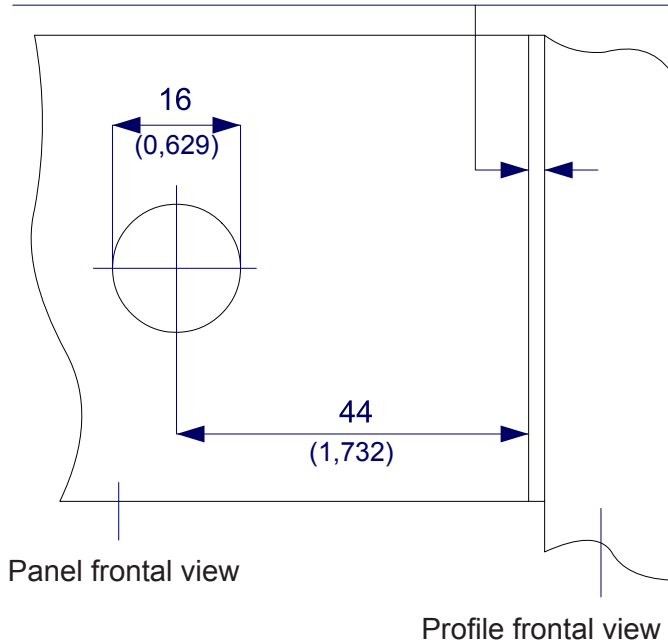
DN 200 20-25 Box of 50 pcs.

DN 201 45-50 Box of 50 pcs.



Hole distance for handle

Keep a gap of 2 mm (0,87 in.) between panel and profile



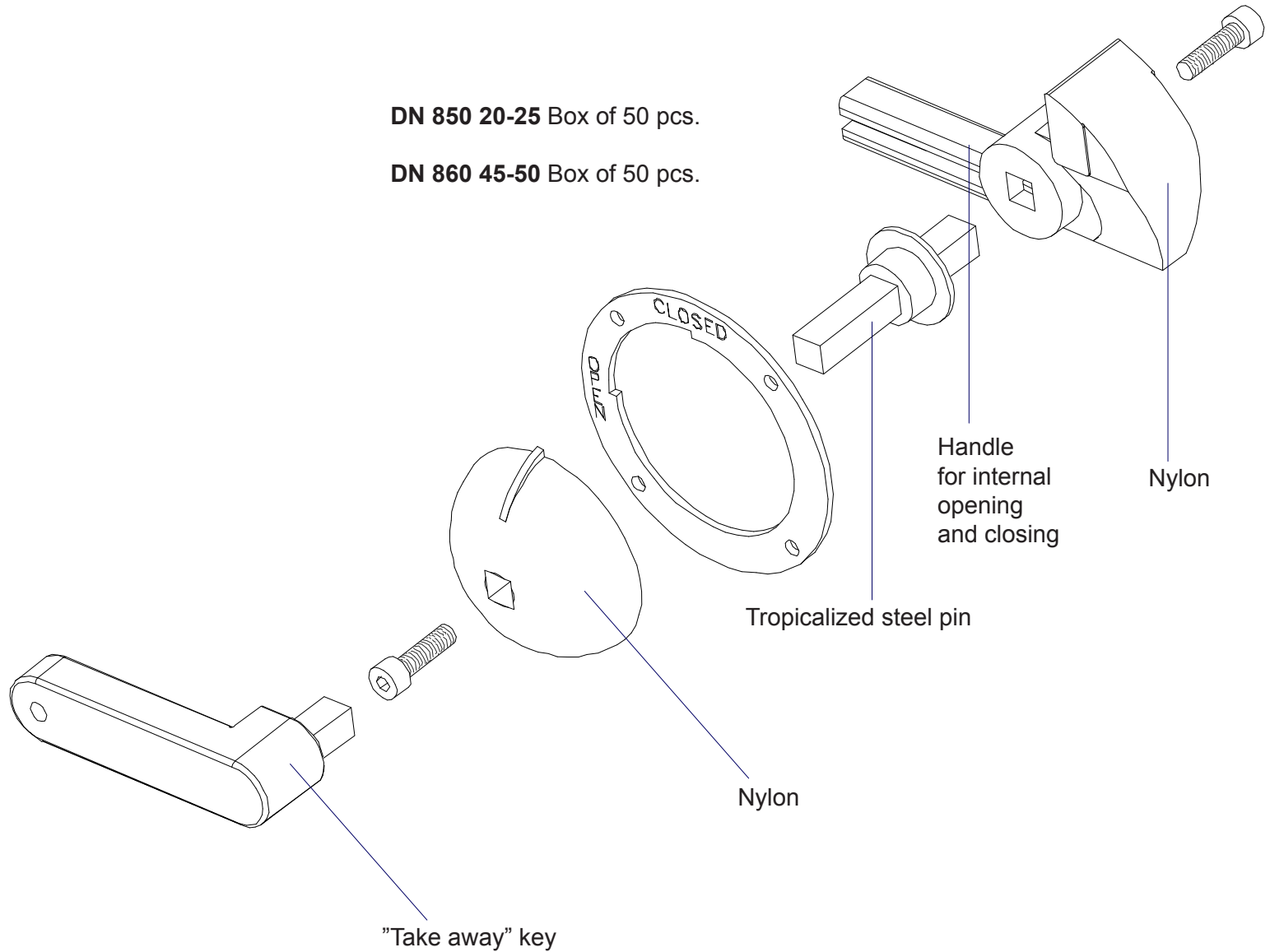
Available pins

- DS 31** square pin 8 for DN 850 / 20-25
L = 31 mm (1,220 in.)
- DS 56** square pin 8 for DN 860 / 45-50
L = 56 mm (2,204 in.) DN 200 / 20-25
- DS 76** square pin 8 for handles 76 mm
L = 76 mm (2,992 in.)
- DS 81** square pin 8 for DN 201 / 45-50
L = 81 mm (3,189 in.)
- DS 96** square pin 8 for handles 96 mm
L = 96 mm (3,779 in.)
- DS 106** square pin 8 for handles 106 mm
L = 106 mm (4,173 in.)

Double lock with key for panels of thickness: 20 / 25 / 45 / 50 mm

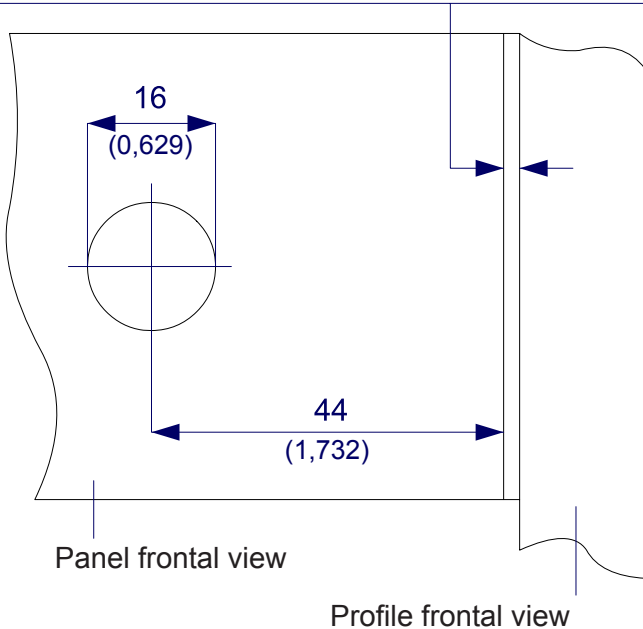
DN 850 20-25 Box of 50 pcs.

DN 860 45-50 Box of 50 pcs.



Hole distance for handle

Keep a gap of 2 mm (0,87 in.) between panel and profile



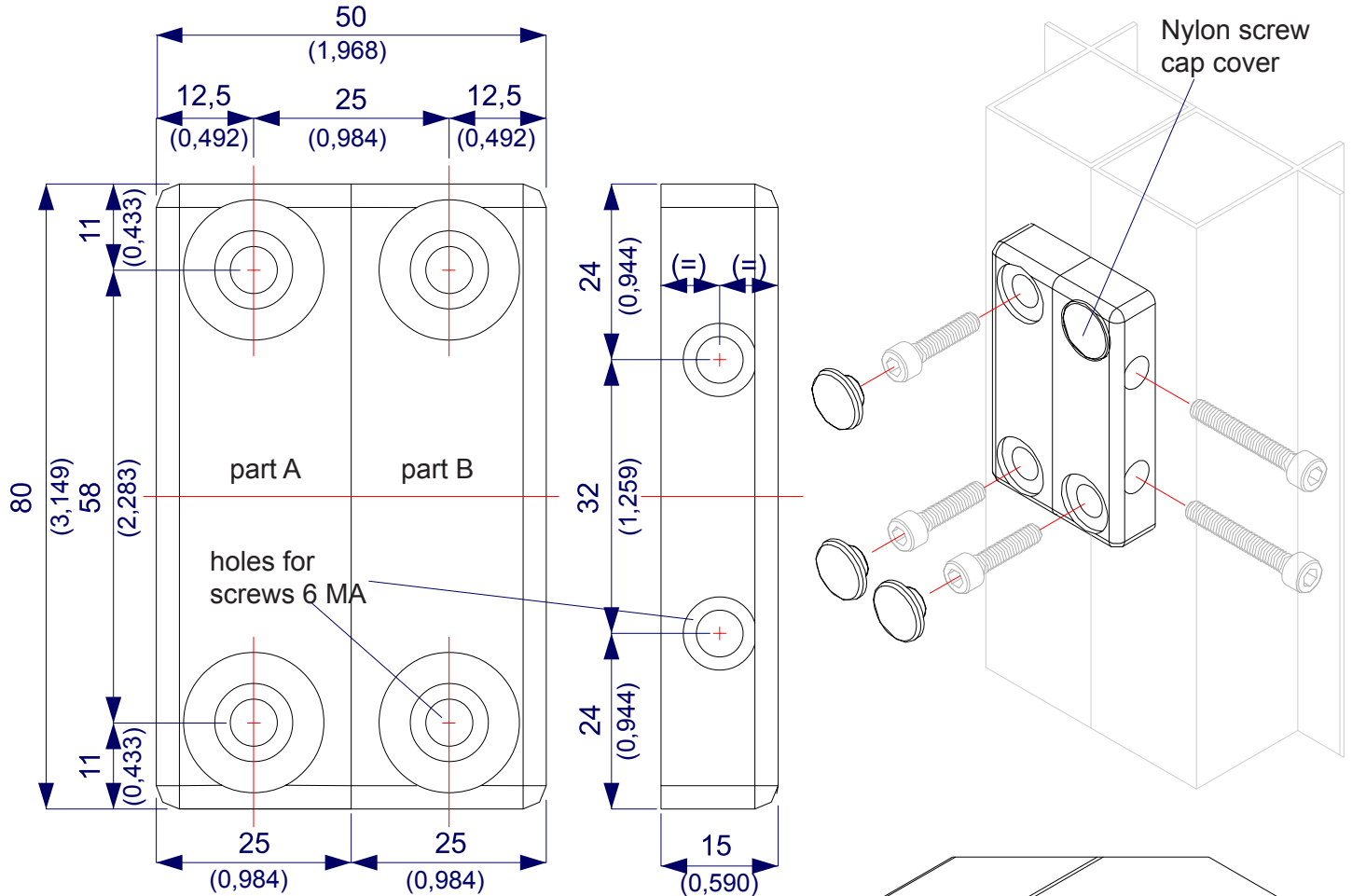
Available pins

- DS 31** square pin 8 for DN 850 / 20-25
L = 31 mm (1,220 in.)
- DS 56** square pin 8 for DN 860 / 45-50
L = 56 mm (2,204 in.) DN 200 / 20-25
- DS 76** square pin 8 for handles 76 mm
L = 76 mm (2,992 in.)
- DS 81** square pin 8 for DN 201 / 45-50
L = 81 mm (3,189 in.)
- DS 96** square pin 8 for handles 96 mm
L = 96 mm (3,779 in.)
- DS 106** square pin 8 for handles 106 mm
L = 106 mm (4,173 in.)

3D representation

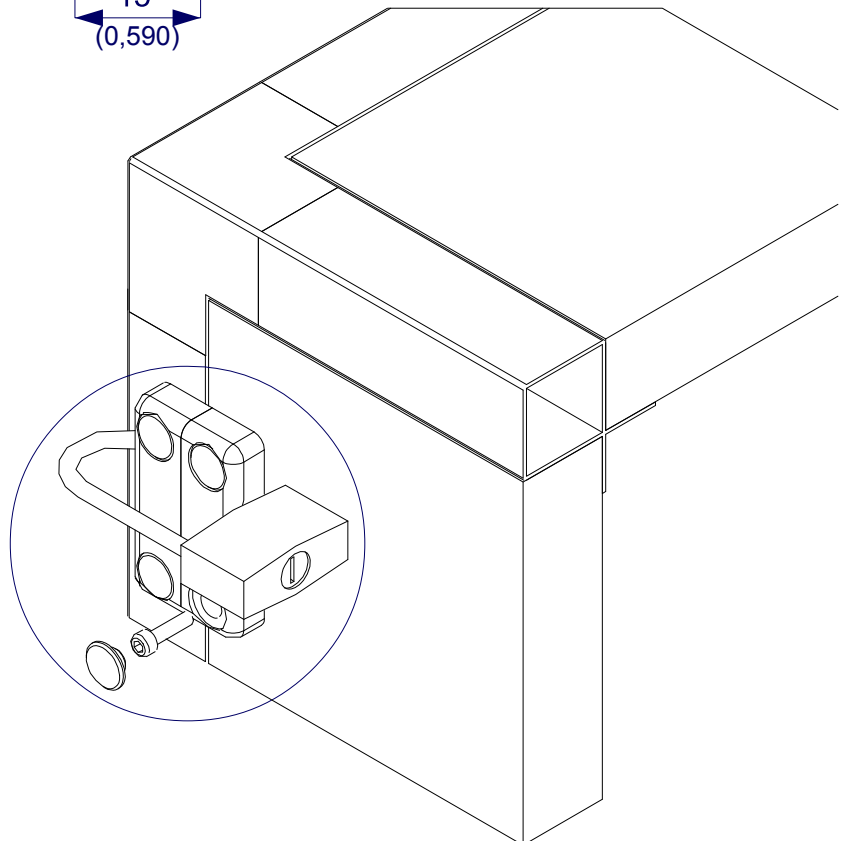
ACB 80x50

Aluminium connecting bracket for
unit section complete with screws
Box of 50 pcs.

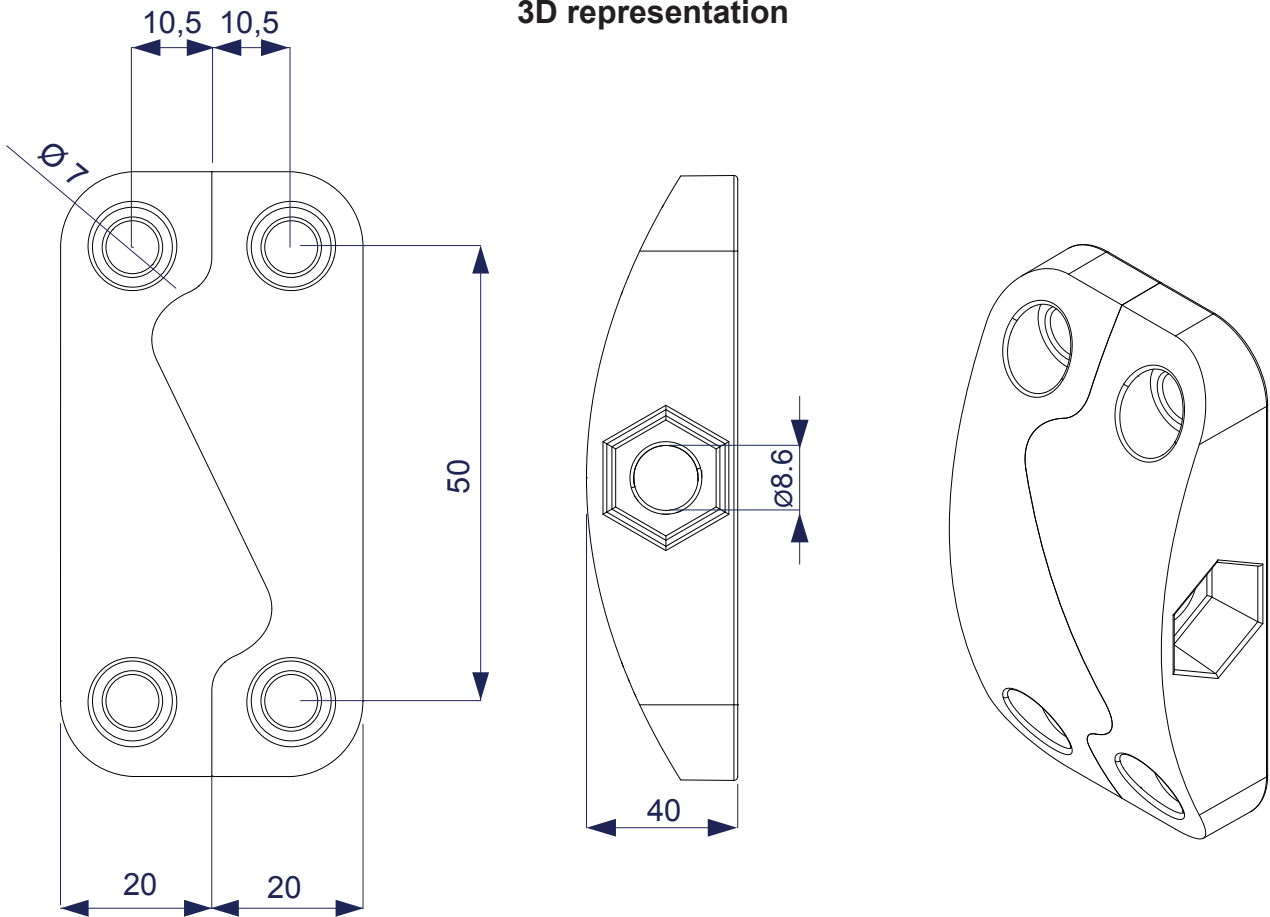


ACB 80x50 P

Padlockable aluminium lock for door
(padlock non included)
Box of 50 pcs.

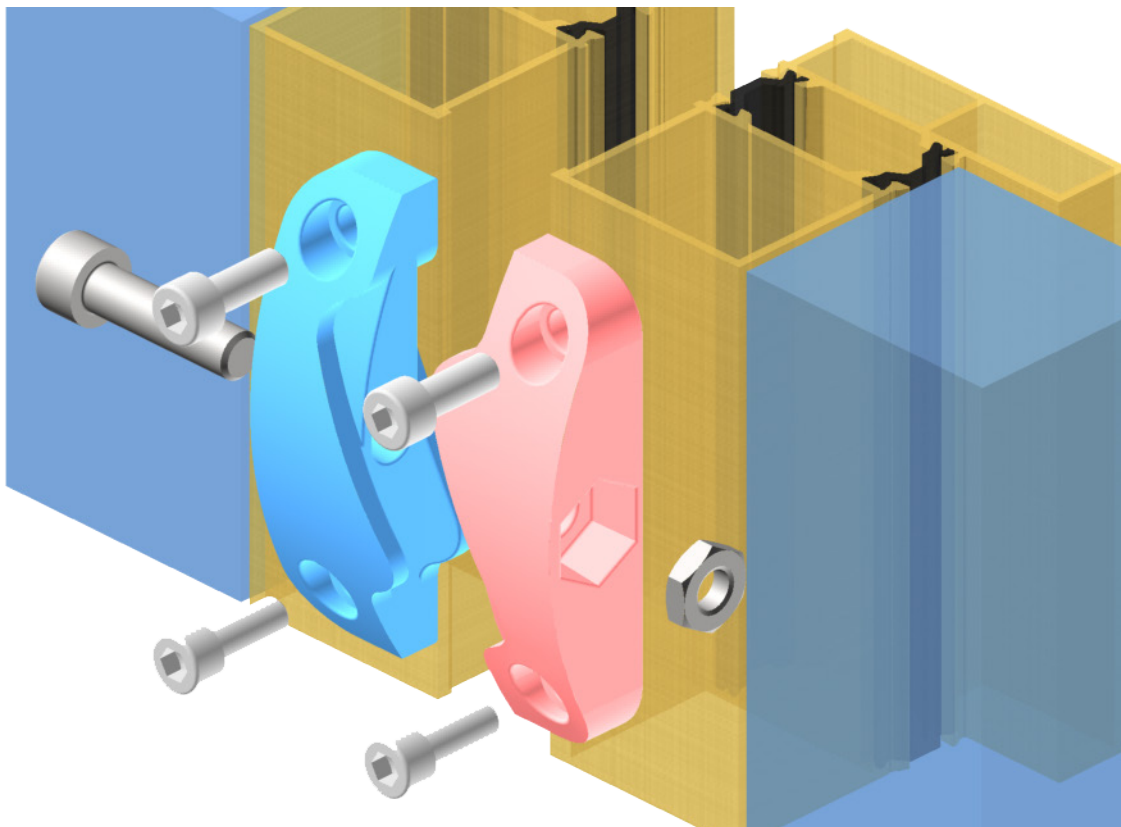


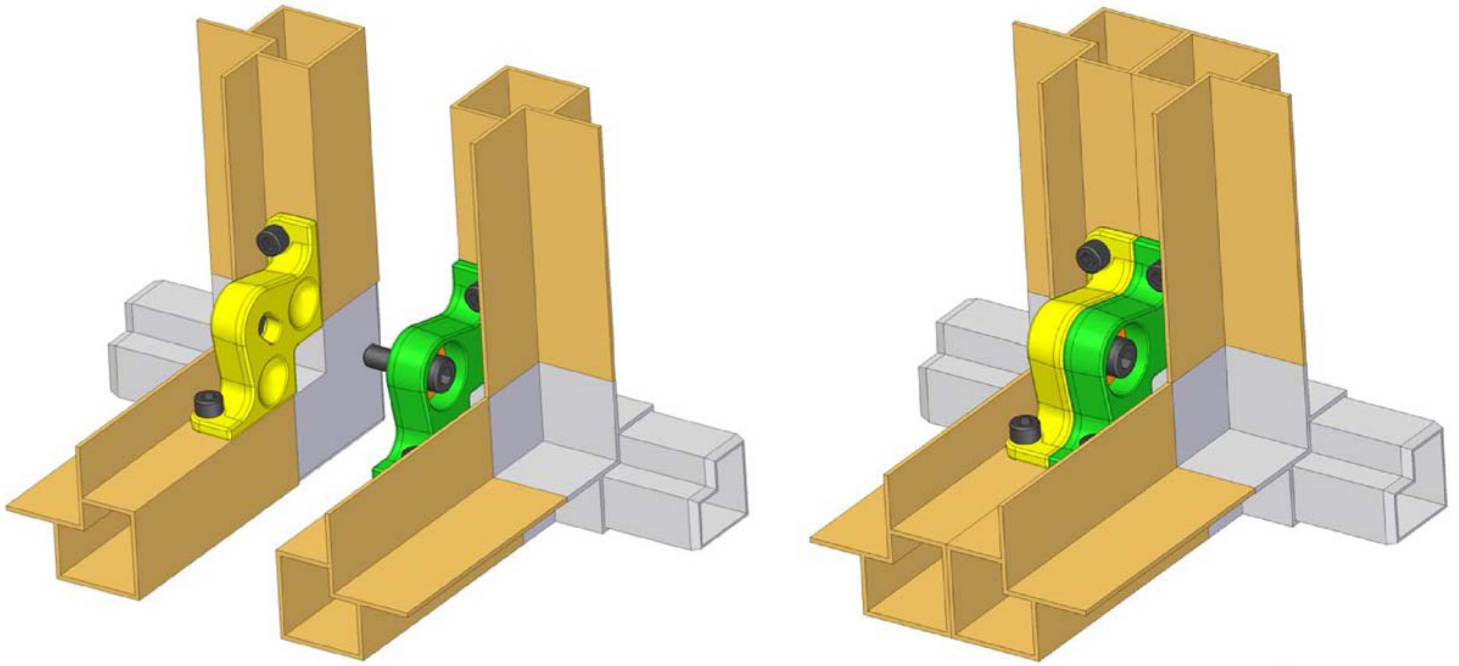
3D representation



ACB 80x40

Zamak connecting bracket for
unit section
Box of 75 pcs.

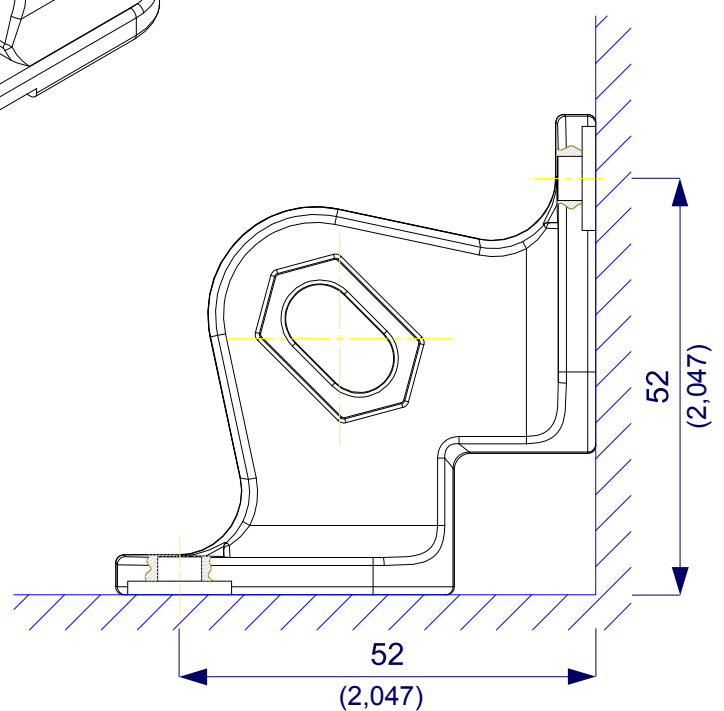
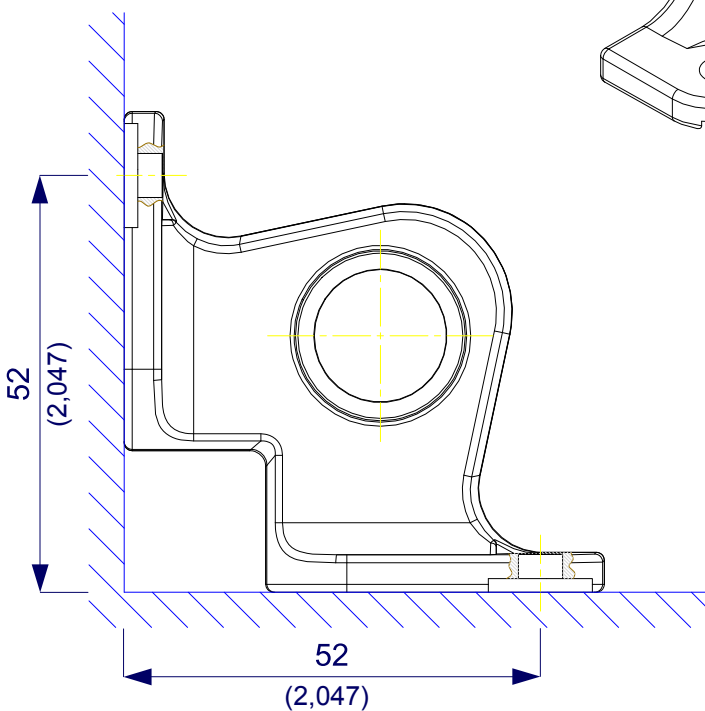
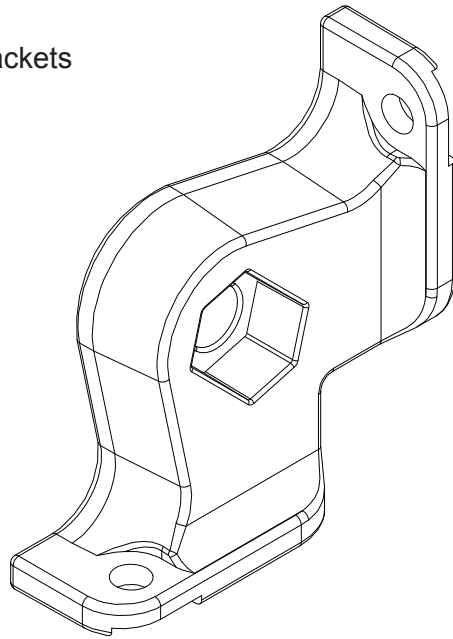


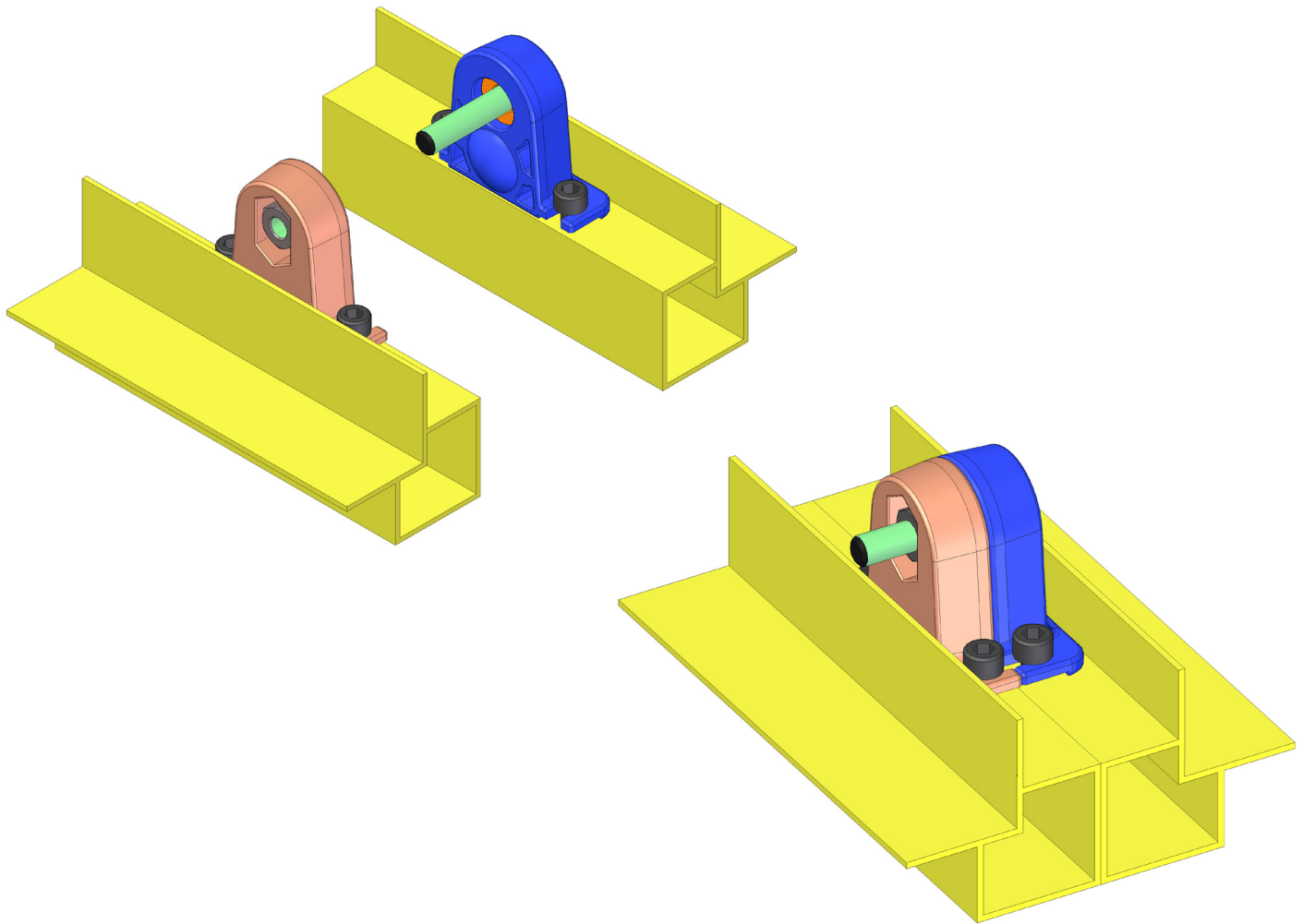


ACB-C1

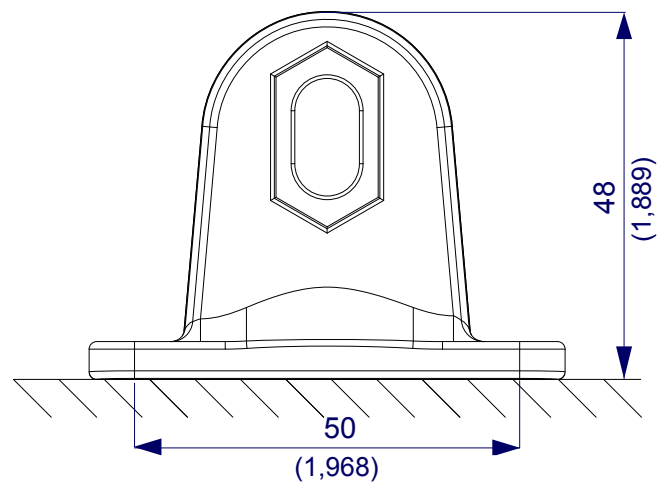
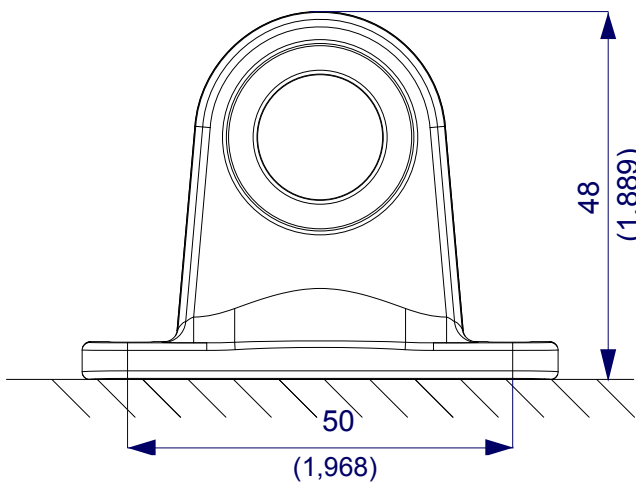
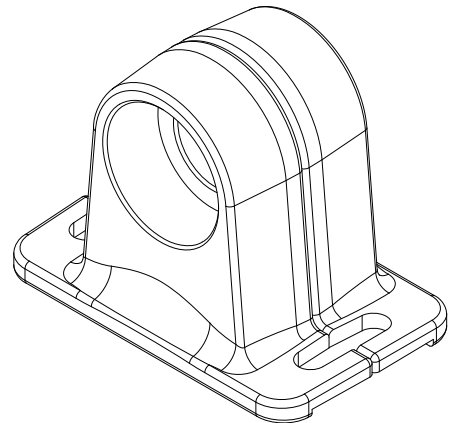
Aluminium connecting and centering brackets

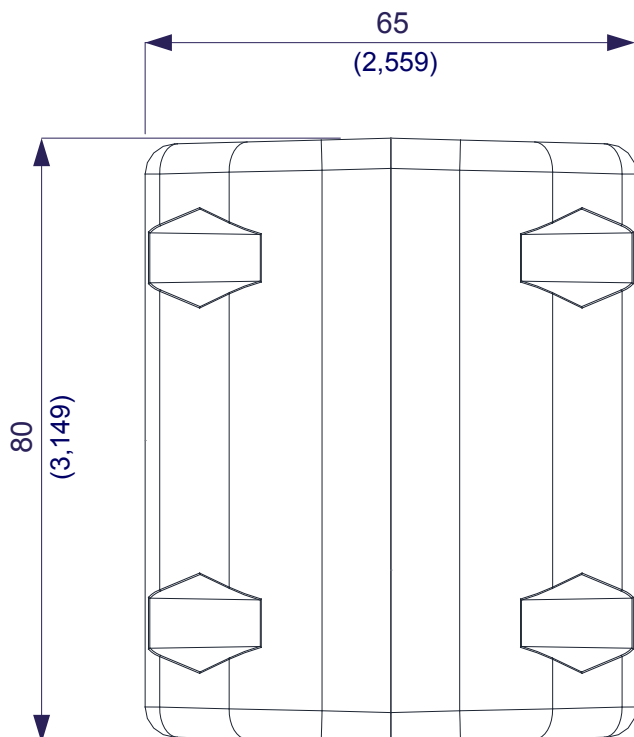
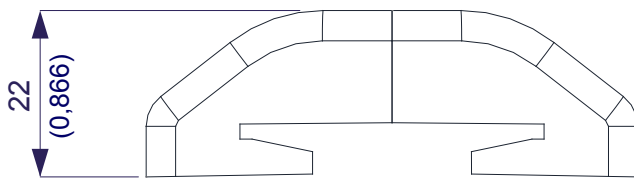
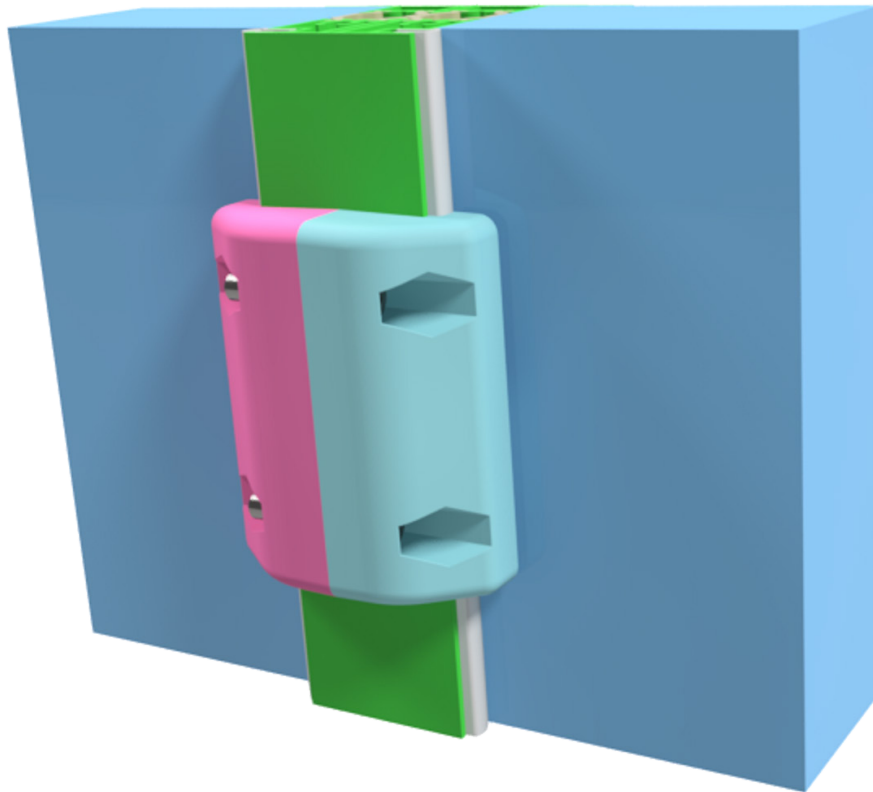
Box of 90 pcs.





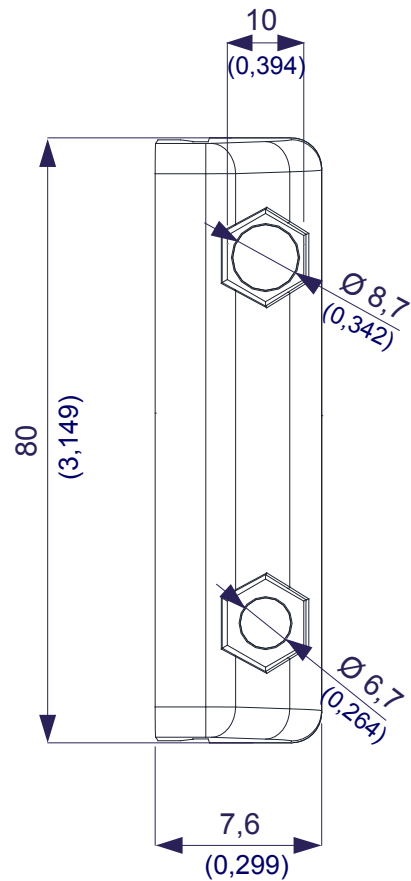
ACB-M1
Aluminium connecting and centering clamps
Box of 90 pcs.

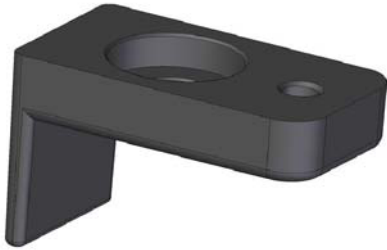




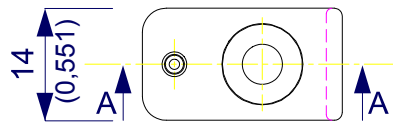
ACB-PS1

Aluminium connecting bracket for systems 55 and 35
Box of 75 pcs.

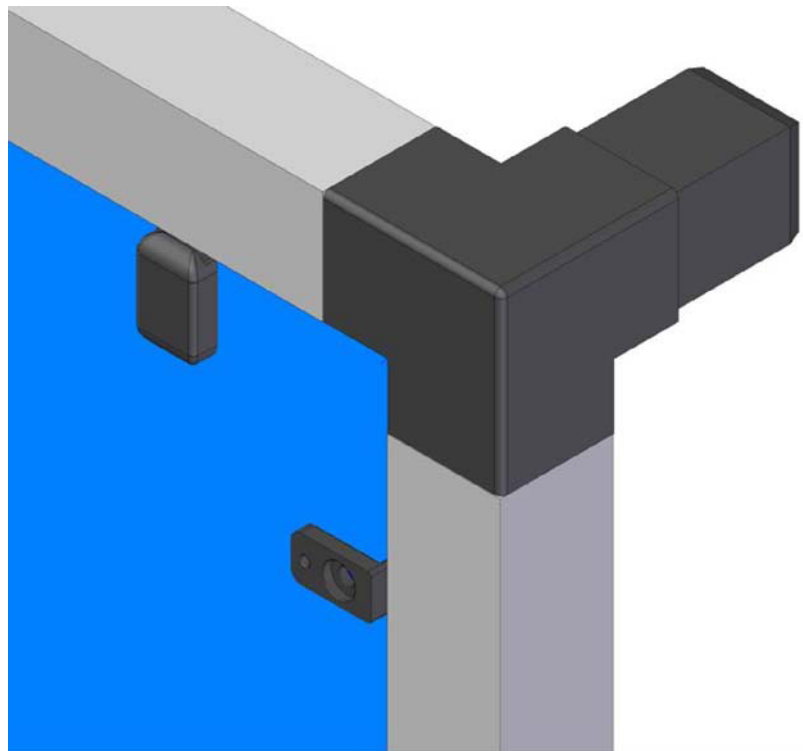
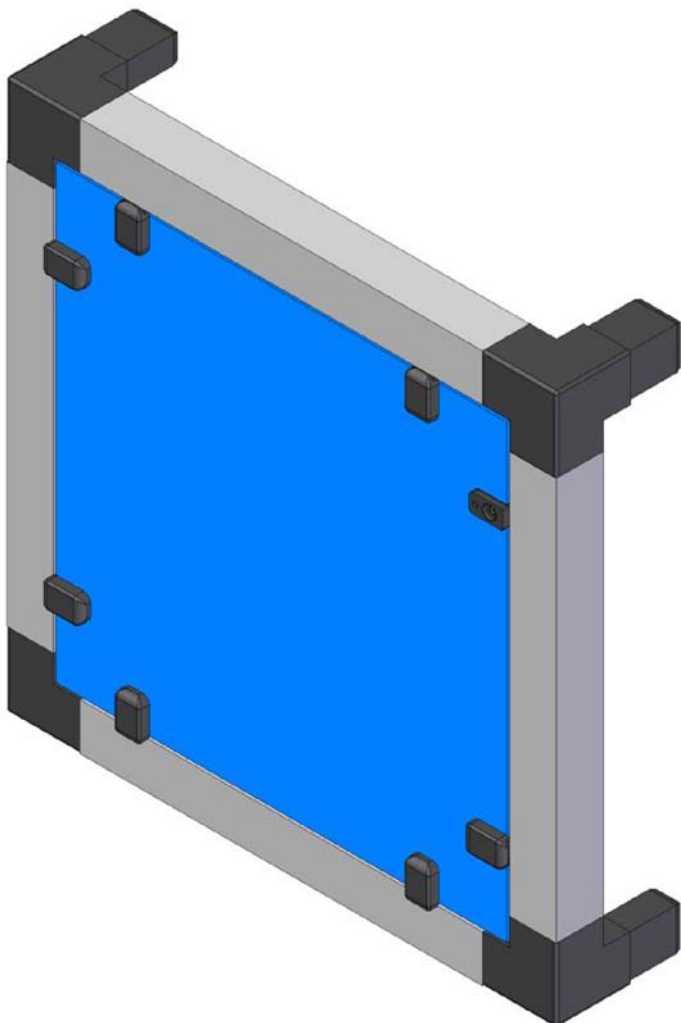
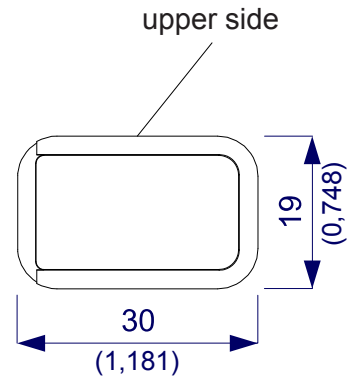
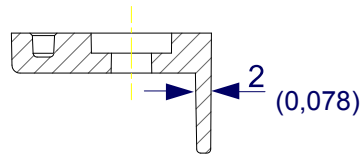


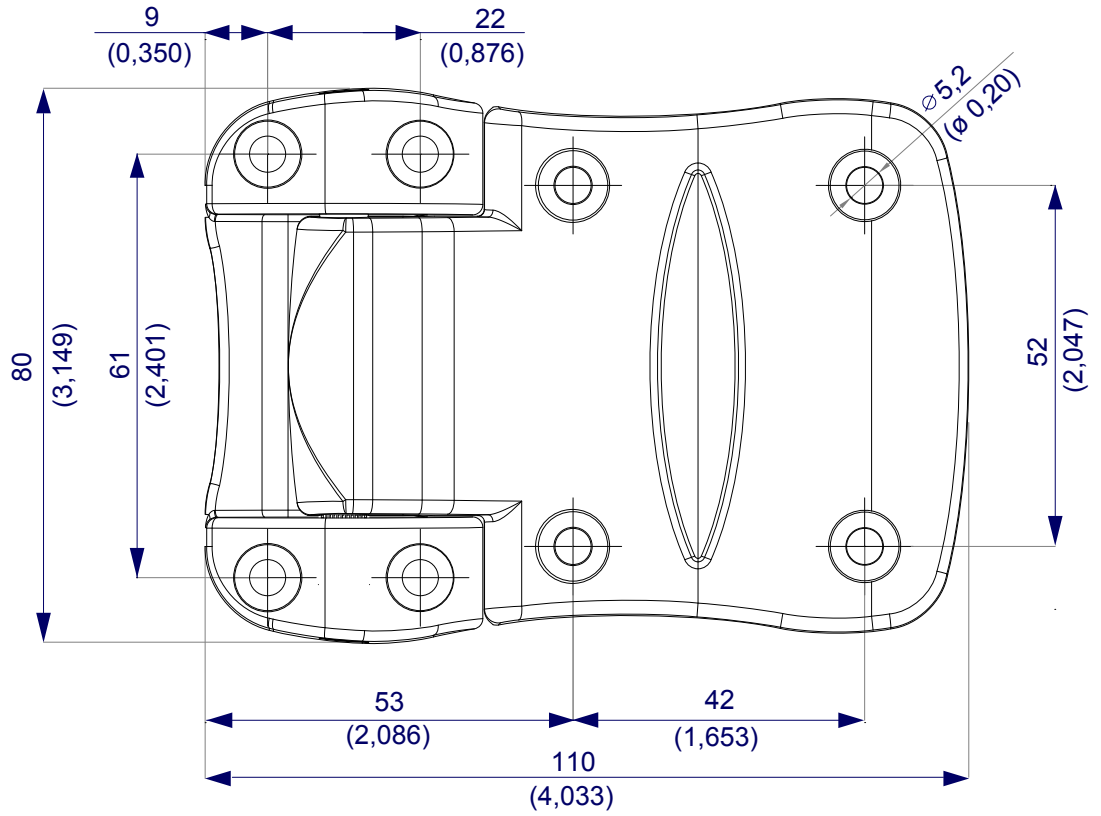


DN 41
Box of 500 pcs.

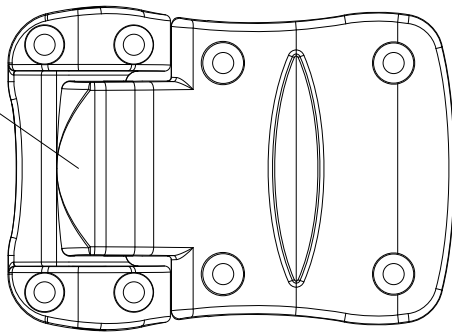


SEZ. A - A



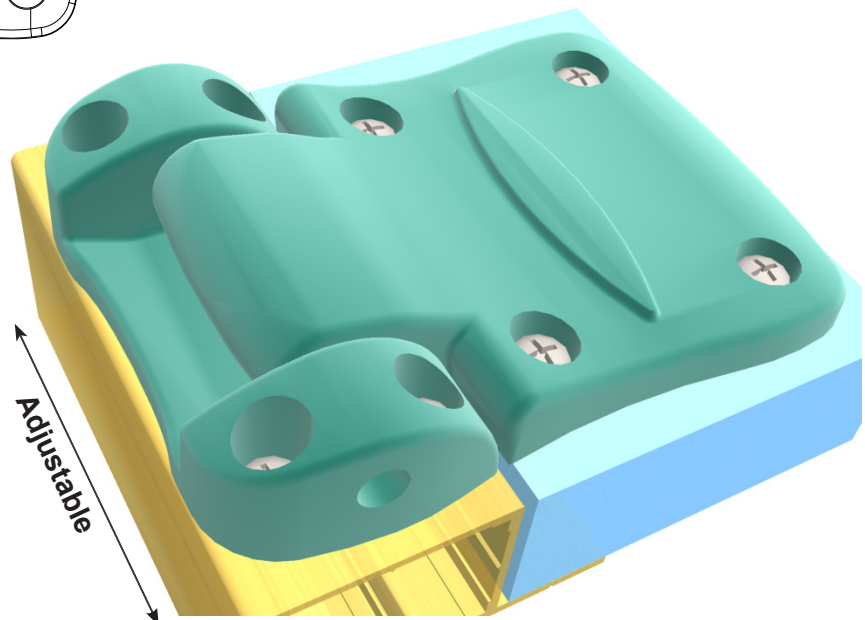


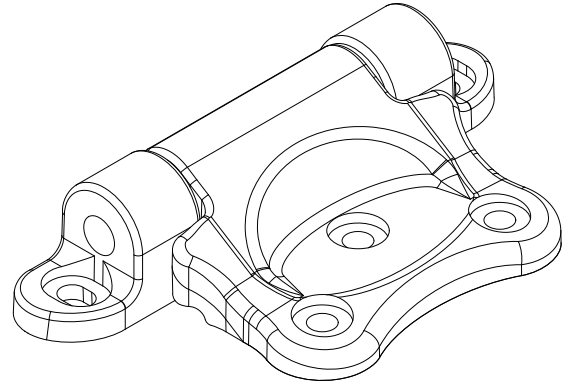
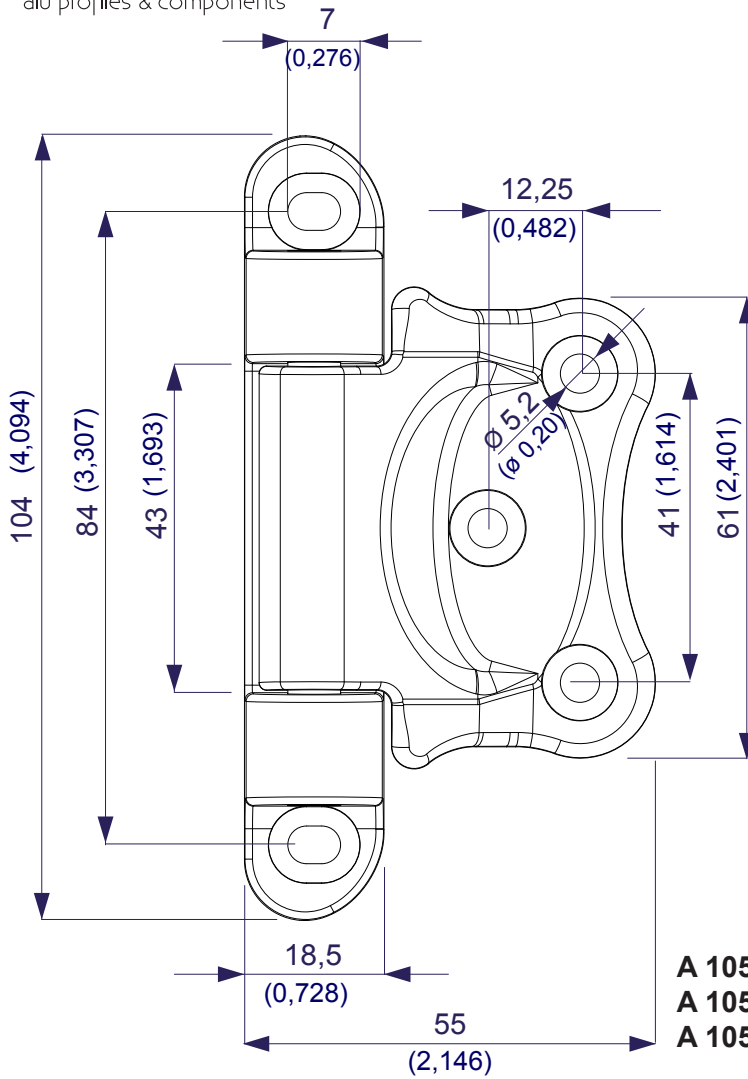
Adjustable part
(up and down)



- A 80x110
- A 80x110-O (Oval hole)
- A 80x110 ADJ (Adjustable)

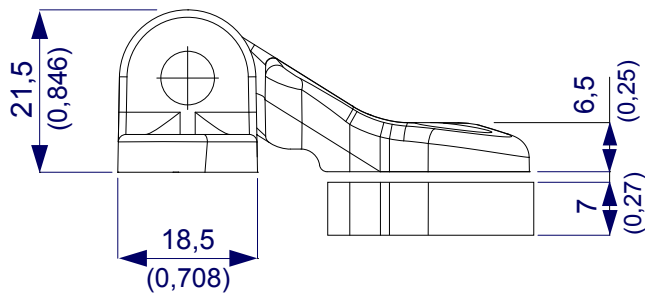
- Box of 50 pcs.
- Box of 50 pcs.
- Box of 50 pcs.



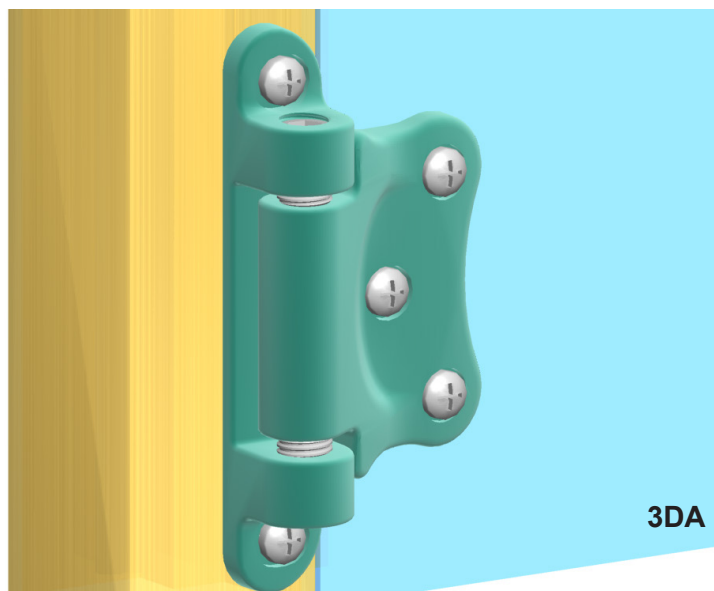


- A 105x55
- A 105x55-O (Oval hole)
- A 105x55 ADJ (Adjustable)

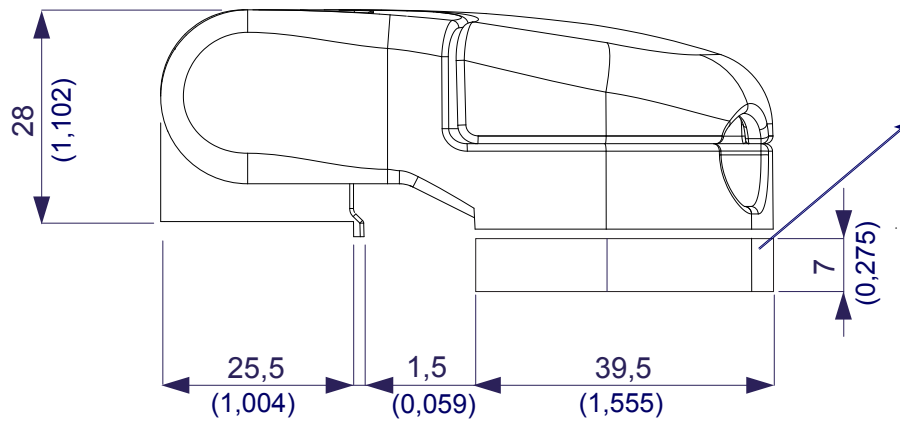
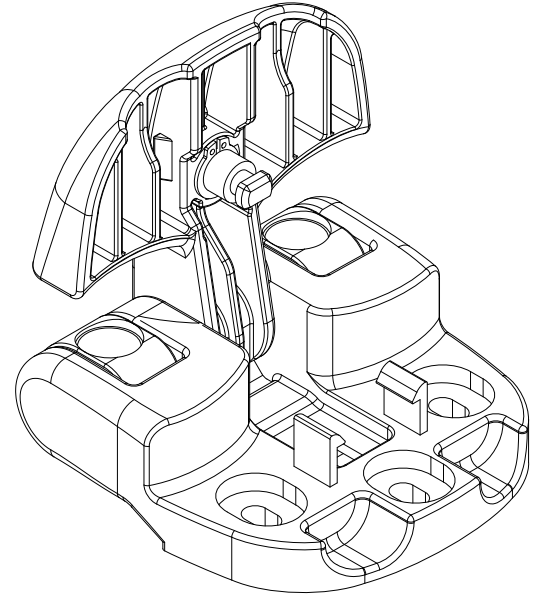
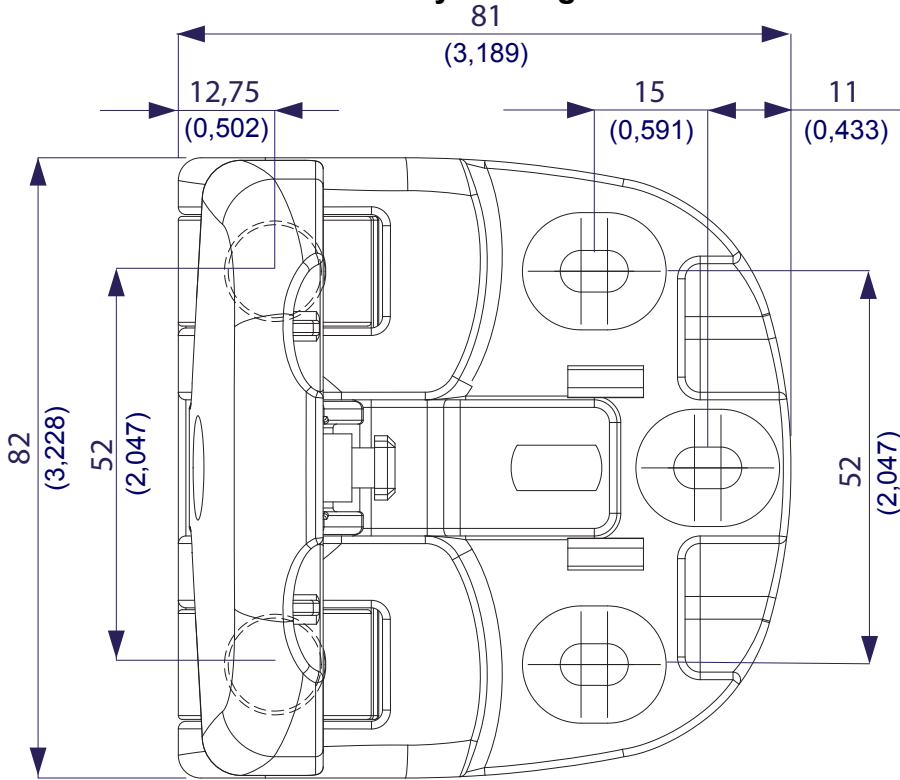
Box of 65 pcs.
Box of 65 pcs.
Box of 65 pcs.



**NYLON SPACER
FOR SYSTEM 55 and 35
NS 7-105**



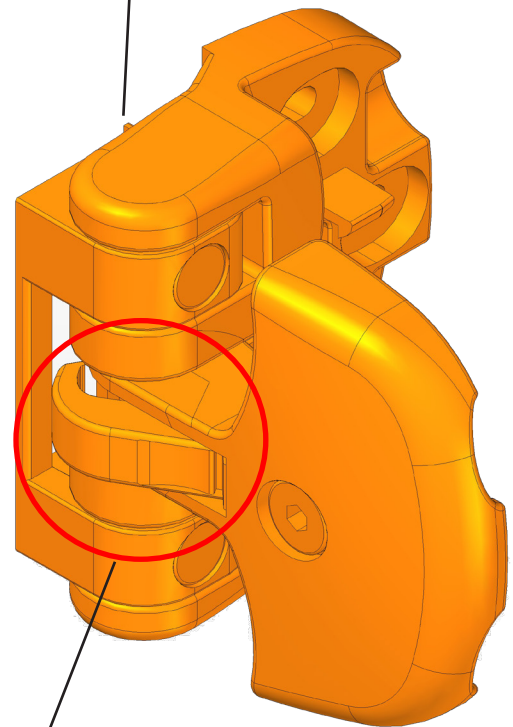
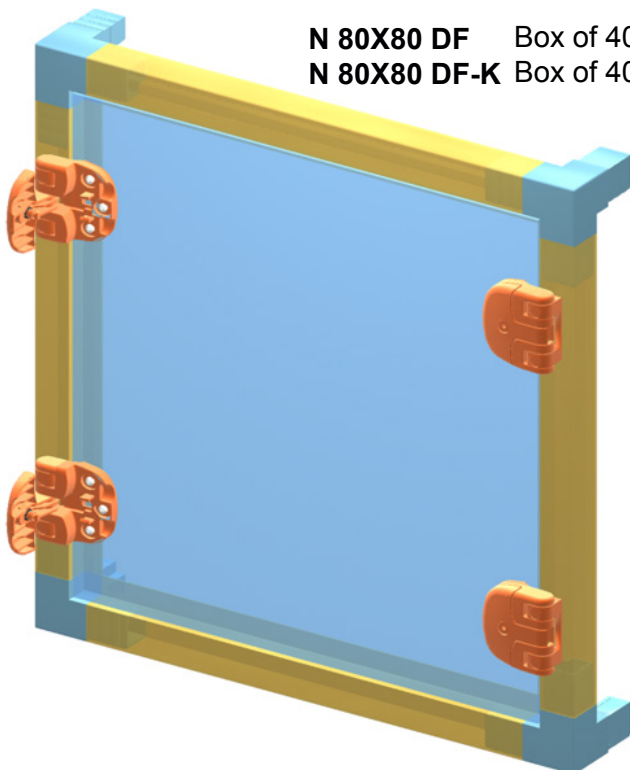
Nylon hinge double function



NYLON SPACER FOR SYSTEM 55 and 35
Other spacers available **NS 7-80**

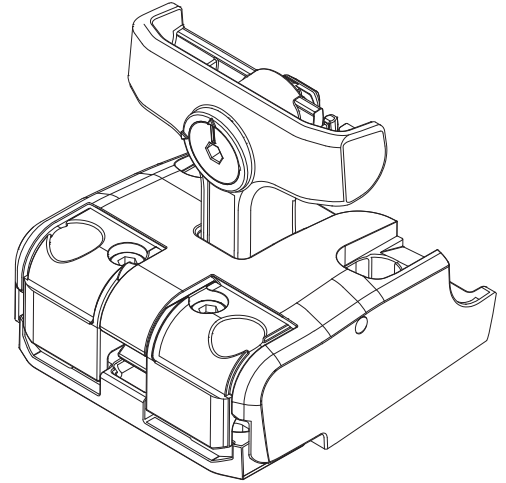
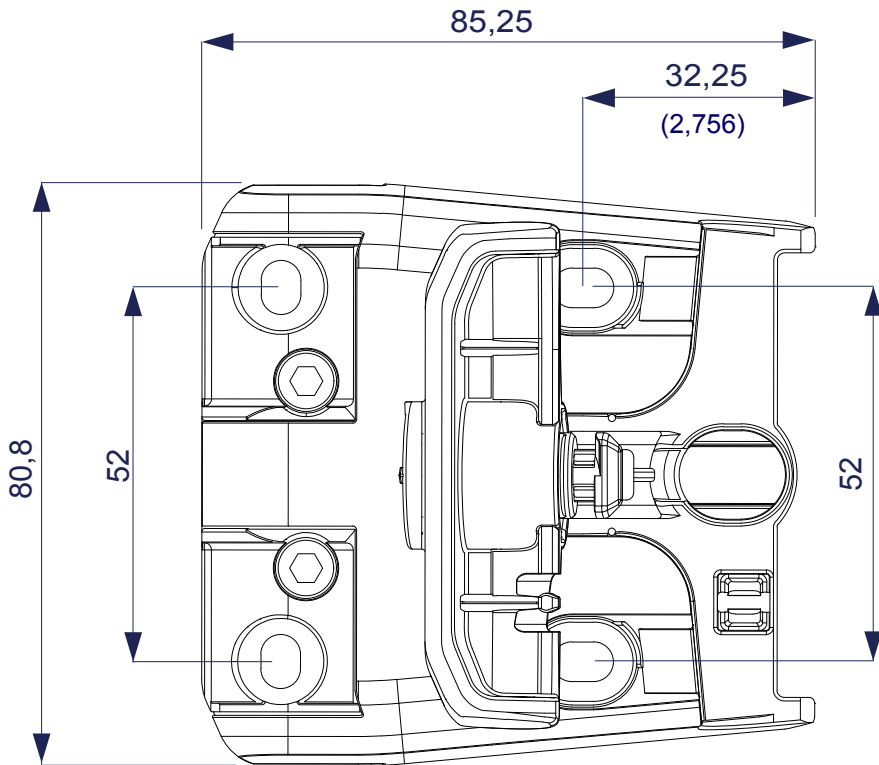
N 80X80 DF-S Box of 40 pcs.
N 80X80 DF-KS Box of 40 pcs.

N 80X80 DF Box of 40 pcs.
N 80X80 DF-K Box of 40 pcs.

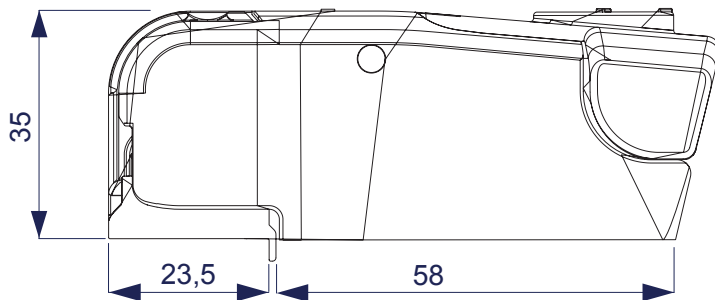


Nylon hinge with pressure button for doors in pressure

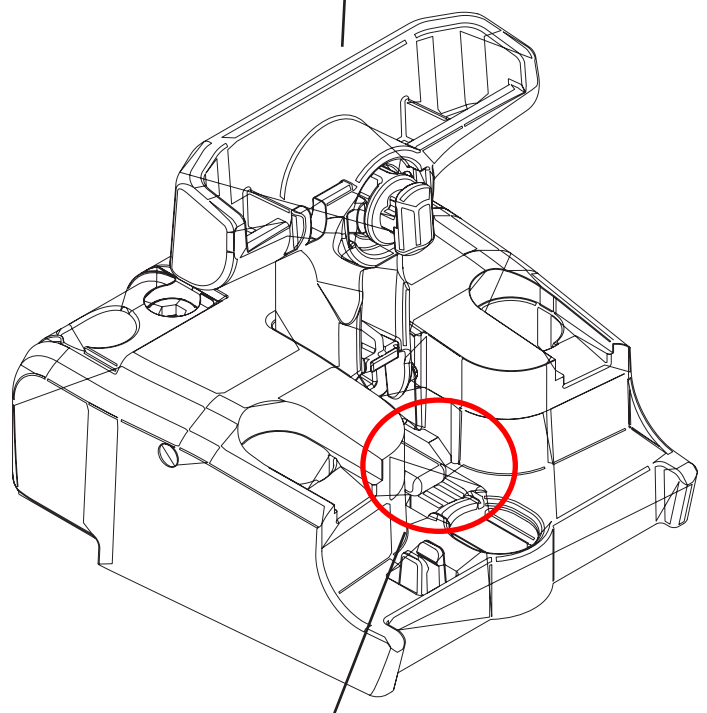
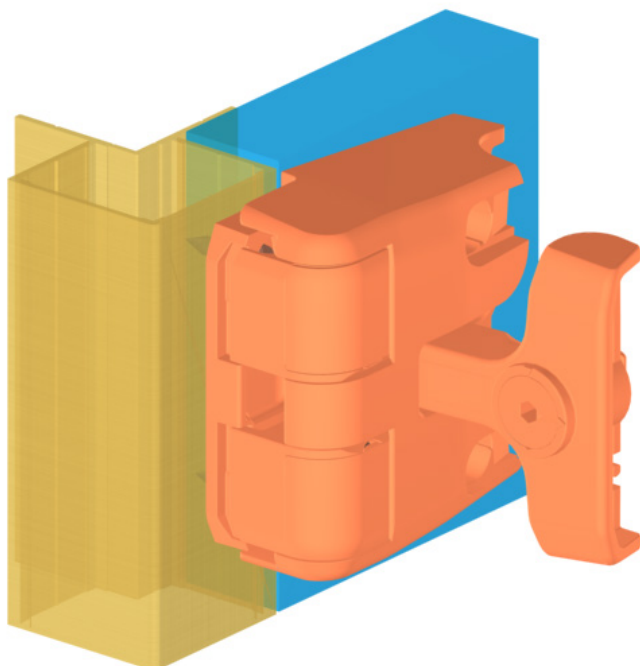
Nylon hinge double function



NZ 90X80 DF ADJ
Box of 40 pcs.

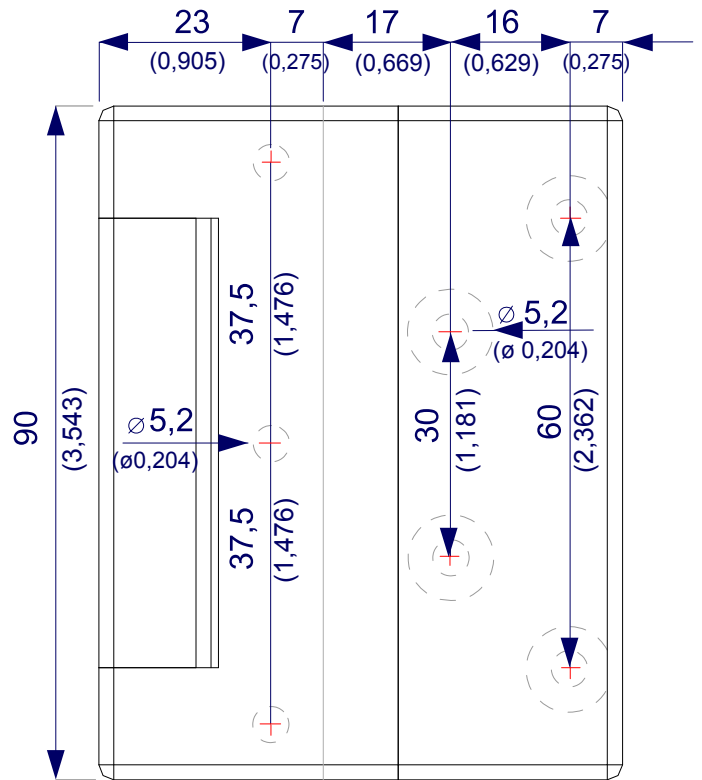
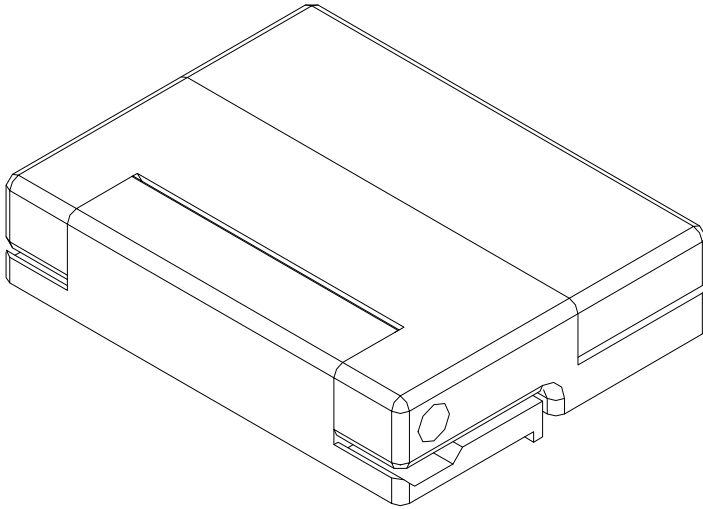


NZ 90X80 DF-S ADJ
Box of 40 pcs.

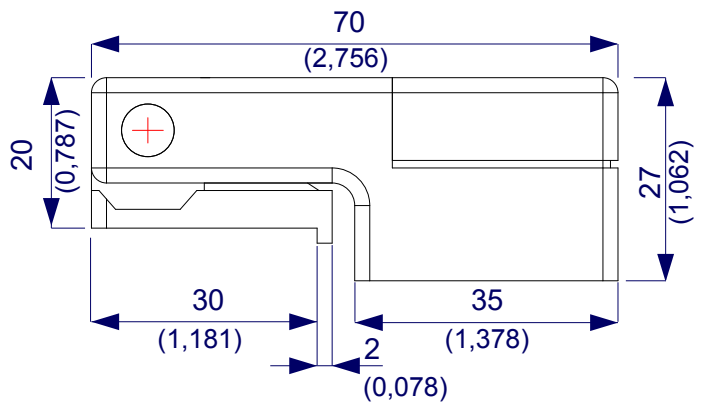
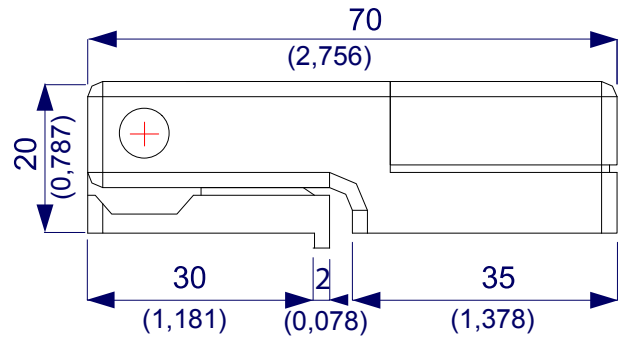
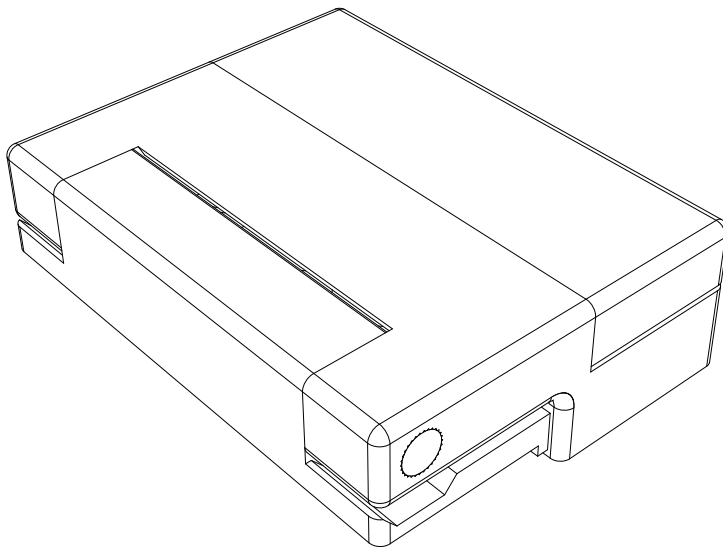


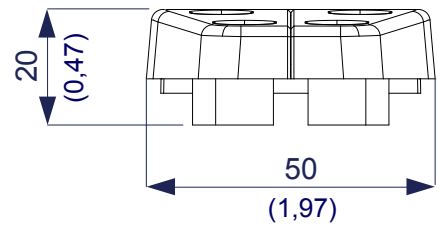
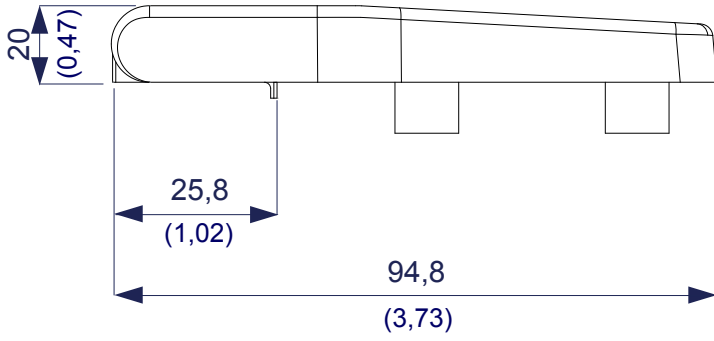
Nylon hinge with pressure button
for doors in pressure

N 90x70
Nylon hinge
Box of 75 pcs.



N 90x70 PS
Nylon hinge
Box of 70 pcs.





Z 35x50

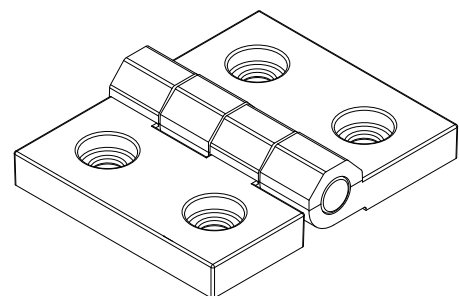
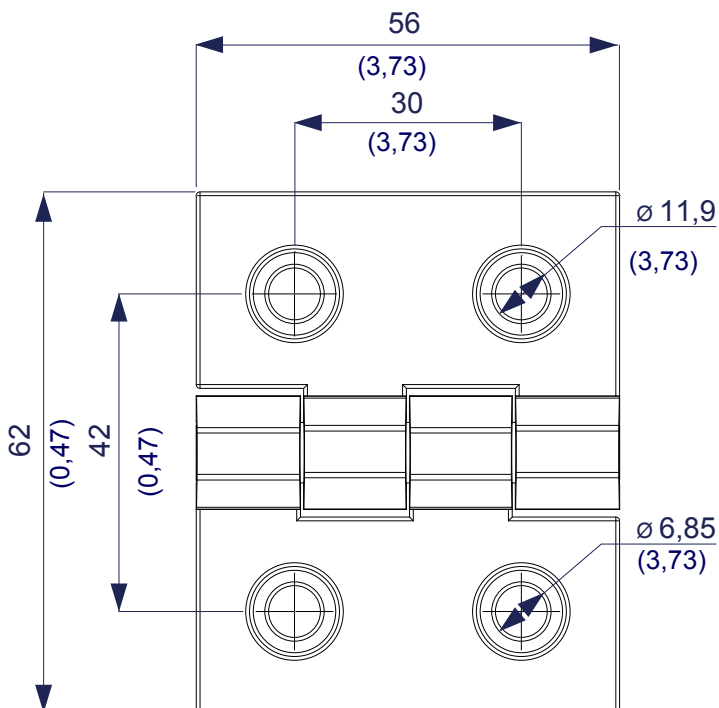
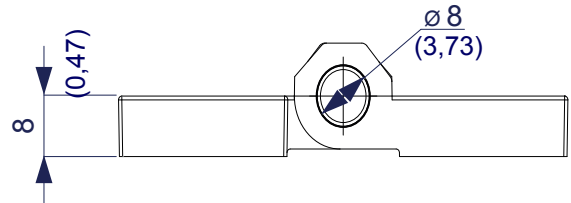
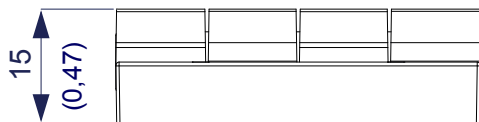
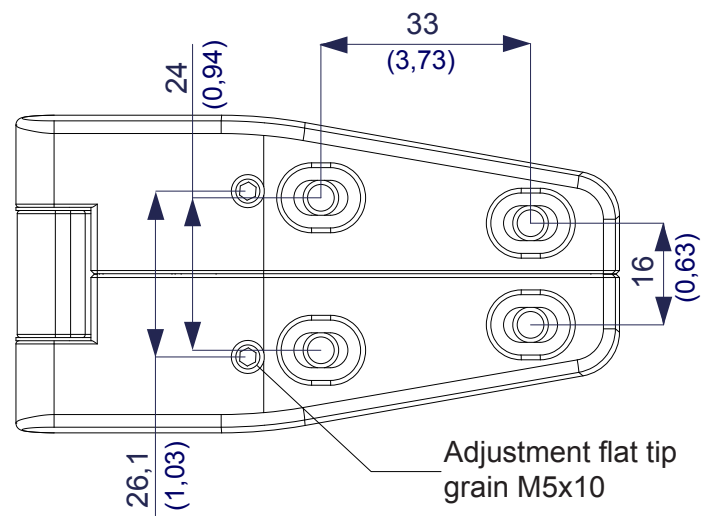
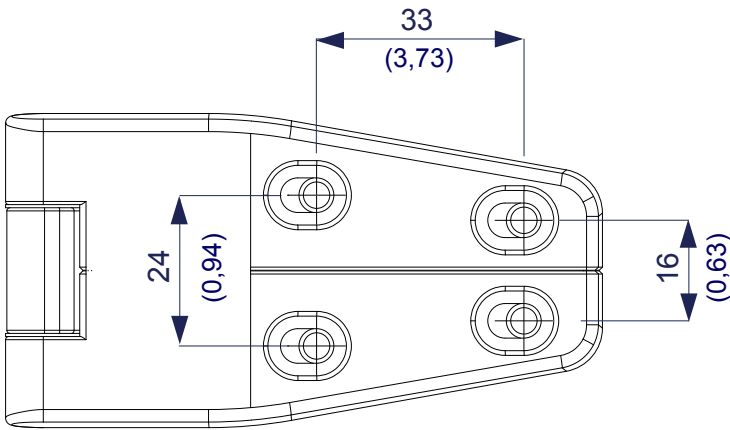
Zamak adjustable hinge 2 W

Box of 140 pcs.

Z 95x50 ADJ

Zamak adjustable hinge 3 W

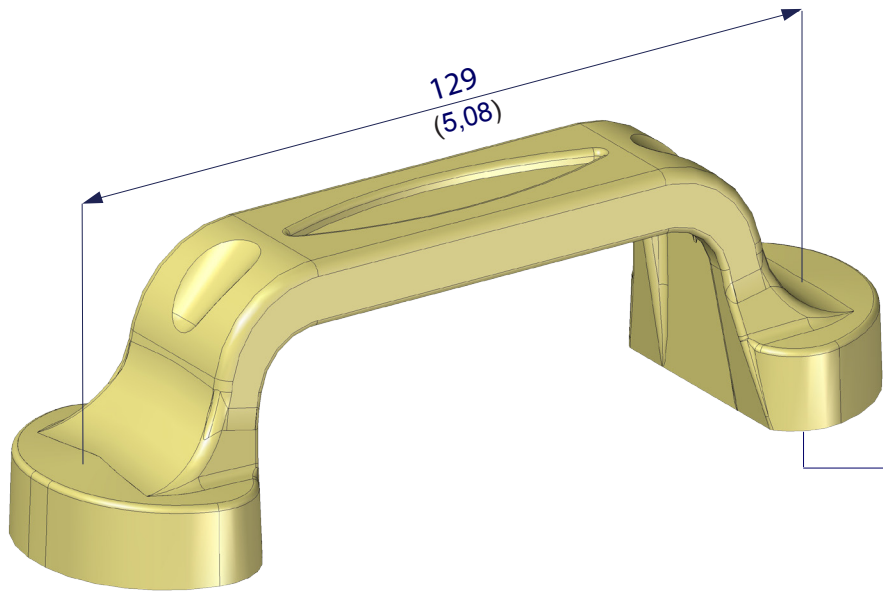
Box of 140 pcs.



Z 56x62

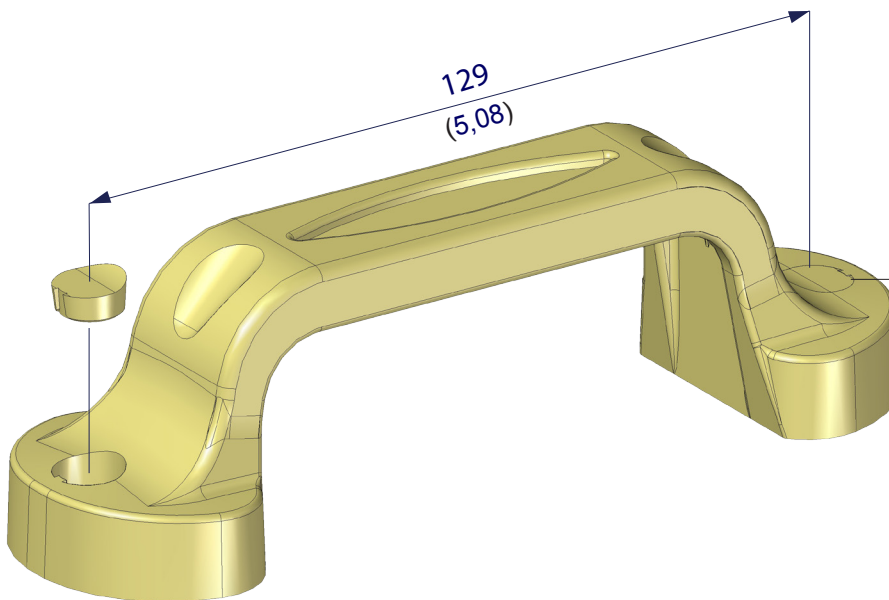
Aluminium hinge

Box of 100 pcs.



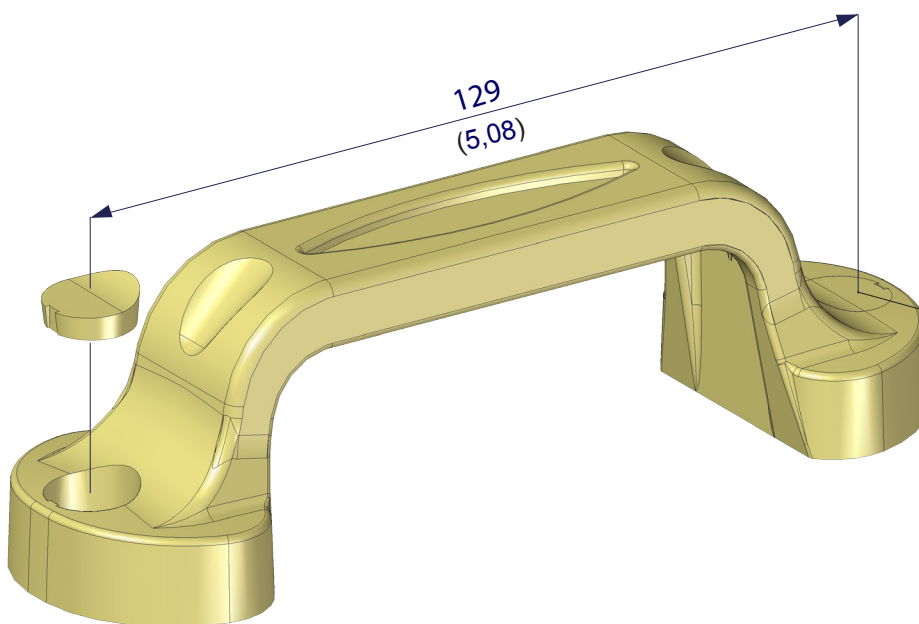
N 60-1
Box of 240 pcs.

Threaded hole
6 MA



N 65-1
Box of 240 pcs.

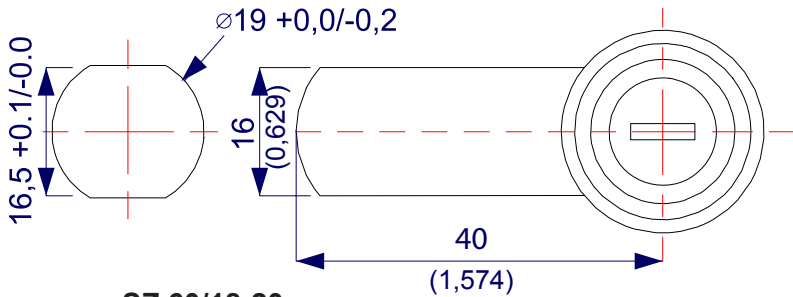
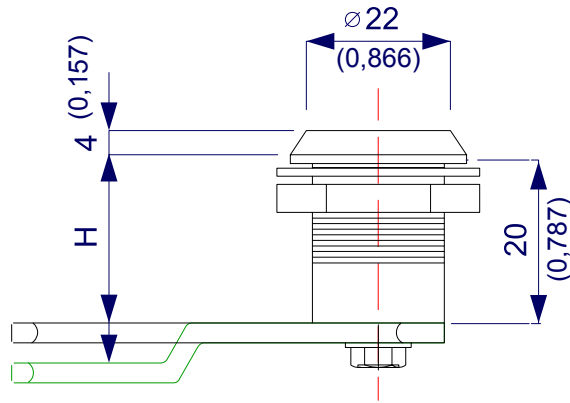
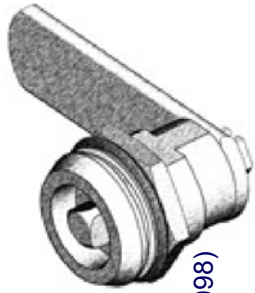
Hole ø 6 mm.



N 62-1
Box of 240 pcs.

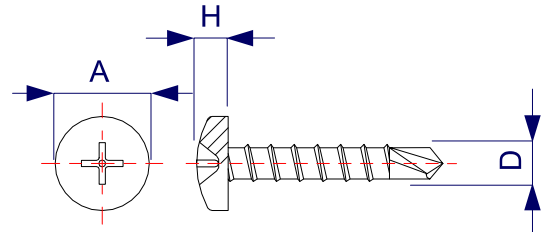
Hole ø 9 mm.

METAL LOCK



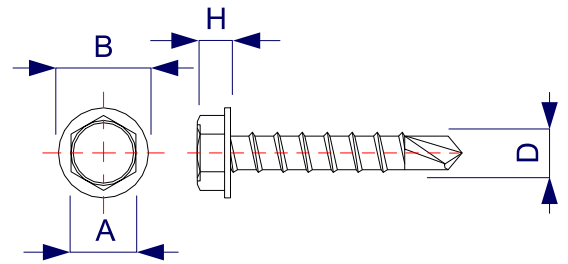
SZ 60/18-20
SZ 60/25
Box of 200 pcs.

SELF-DRILLING SCREWS



TC PH

Cross head (DIN 7504-M)
Self-drilling screws
of various sizes available
Box of 1.000 pcs.

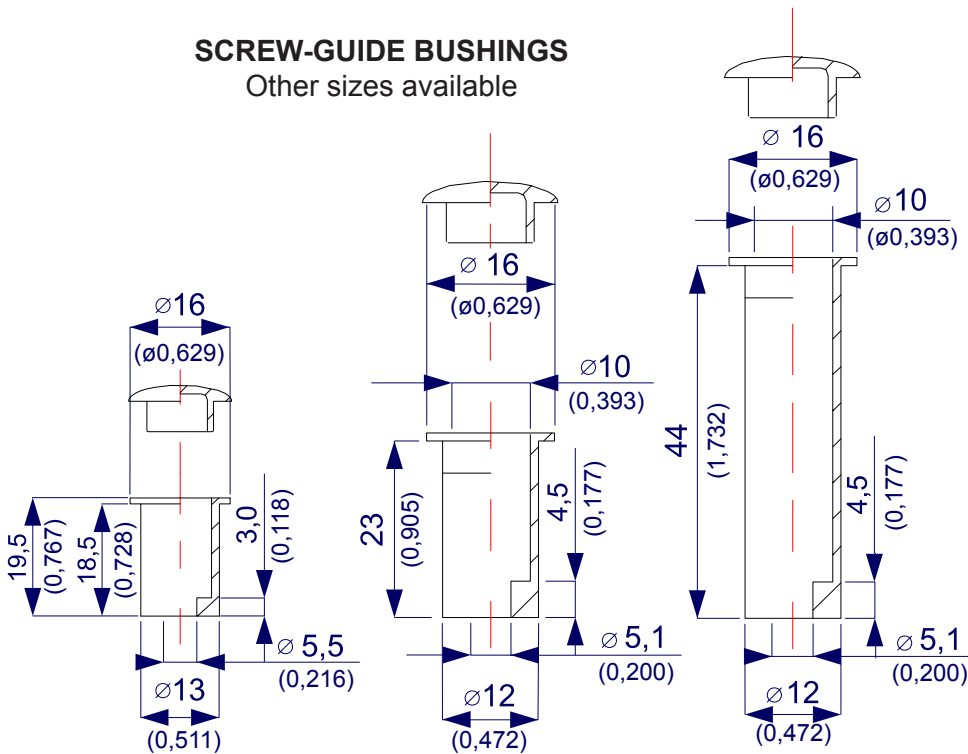


TE FR

Hexagonal head (DIN 7504-K)
Self-drilling screws
of various sizes available
Box of 1.000 pcs.

SCREW-GUIDE BUSHINGS

Other sizes available

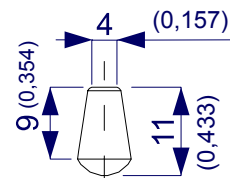


N 870-20
For panel
thickness 20 mm
Box of 2.000 pcs.

N 870
For panel
thickness 25 mm
Box of 2.000 pcs.

N 871
For panel thickness
45 and 50 mm
Box of 1.000 pcs.

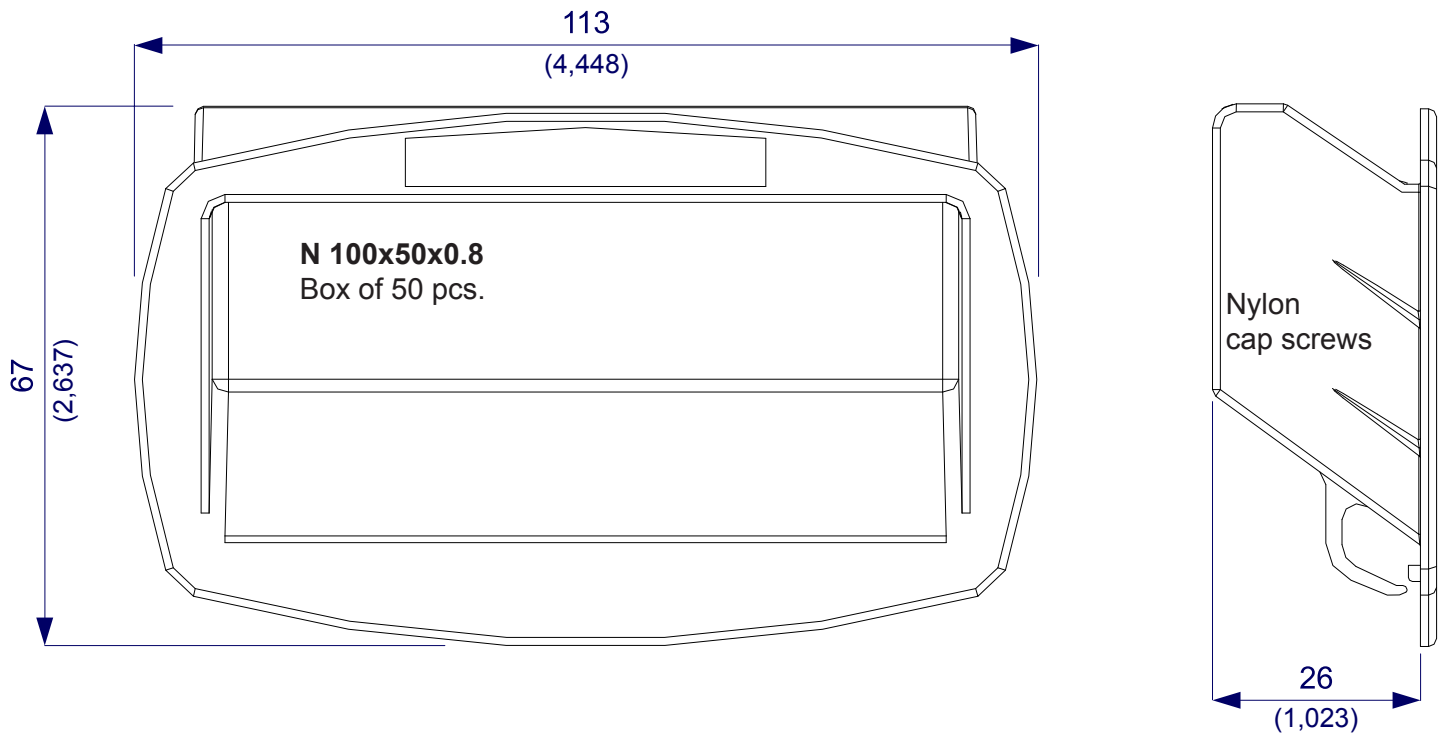
SCREW CAP COVERS



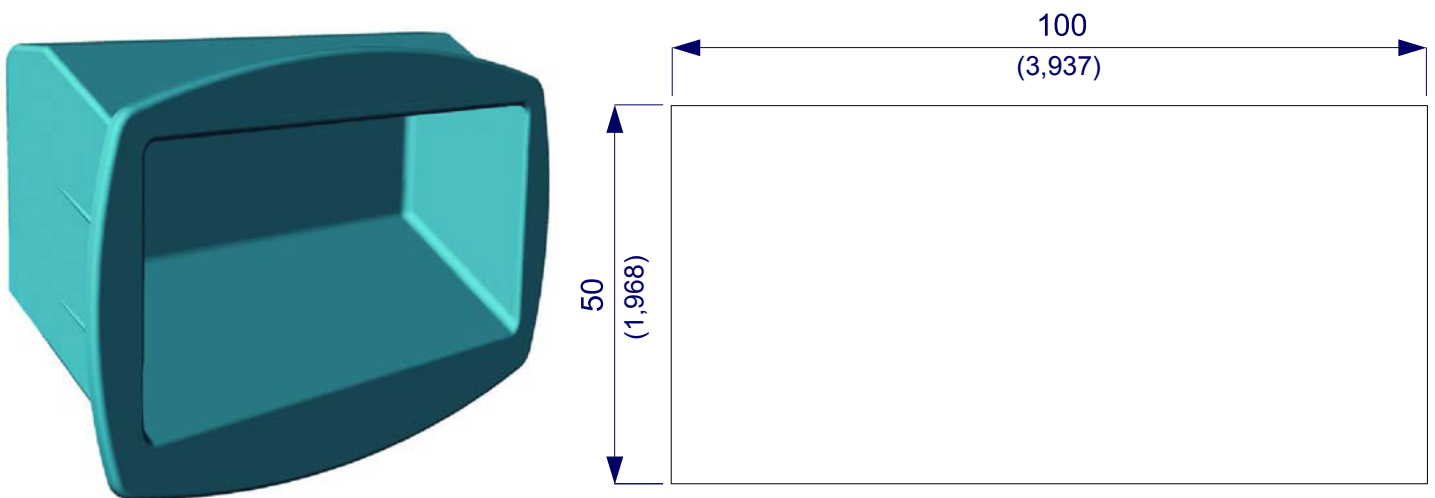
N 880

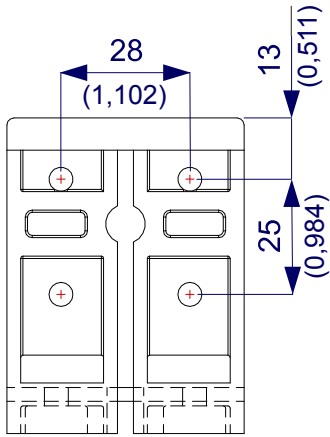
Plastic safety screw cover
Bag of 1.000 pcs.
(different dimension
available on request)

HANDLE IN LINE WITH THE PANEL

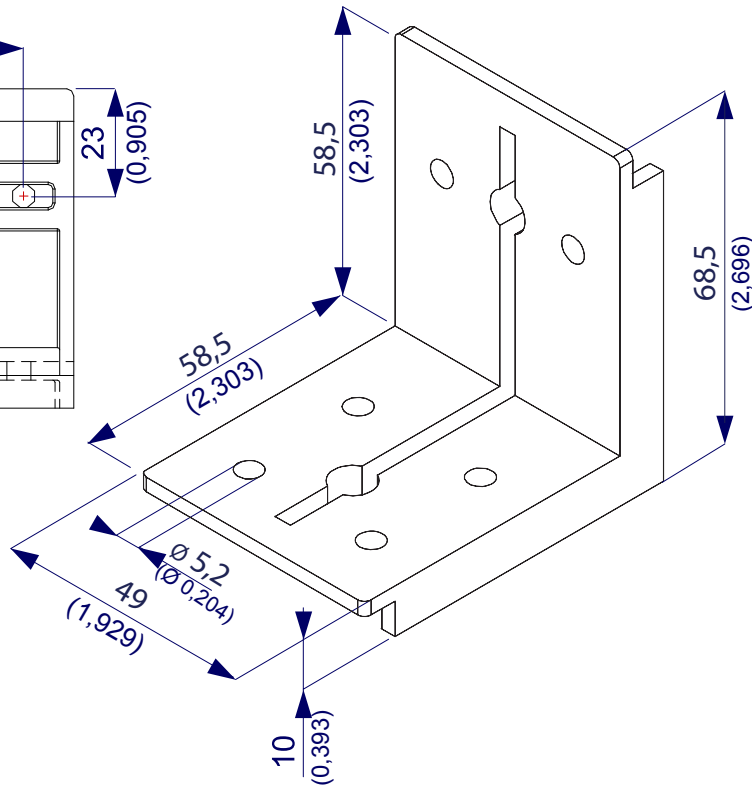
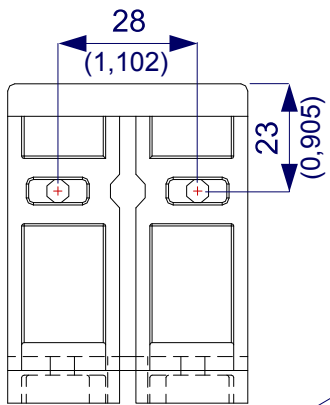


Sheet metal working



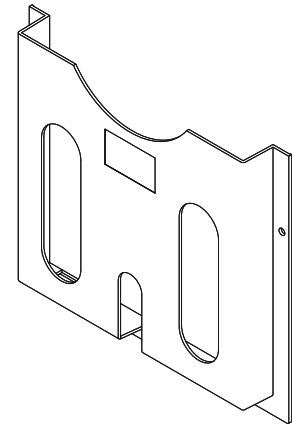
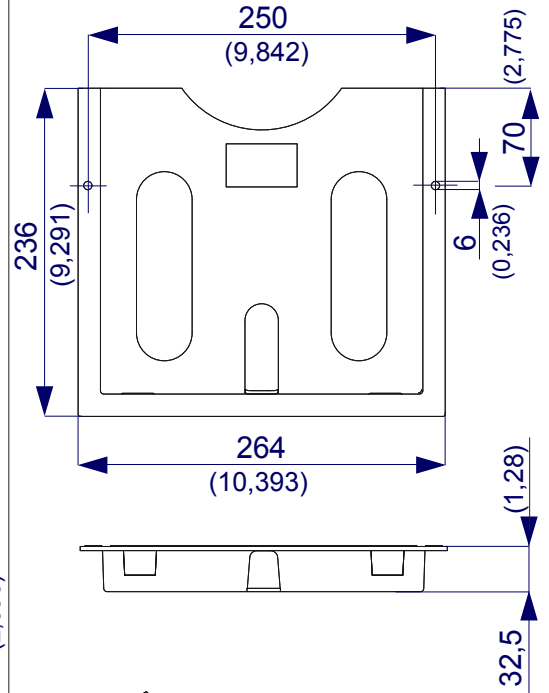


A 860
Aluminium connecting bracket
Box of 60 pcs.

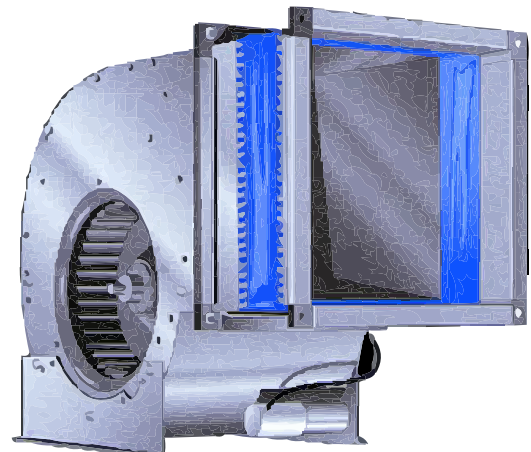
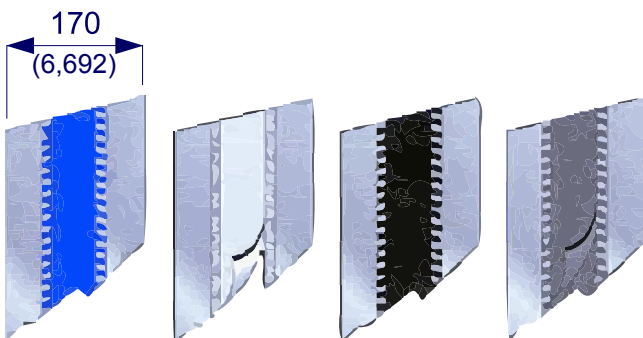


NP001

Plastic document holder
Box of 25 pcs.



VB 170-0.50
Vibration damping
Box of 25 mt.



Flat and adjustable porthole, nylon and plexiglass,
for panel thickness from 19 to 110 mm.

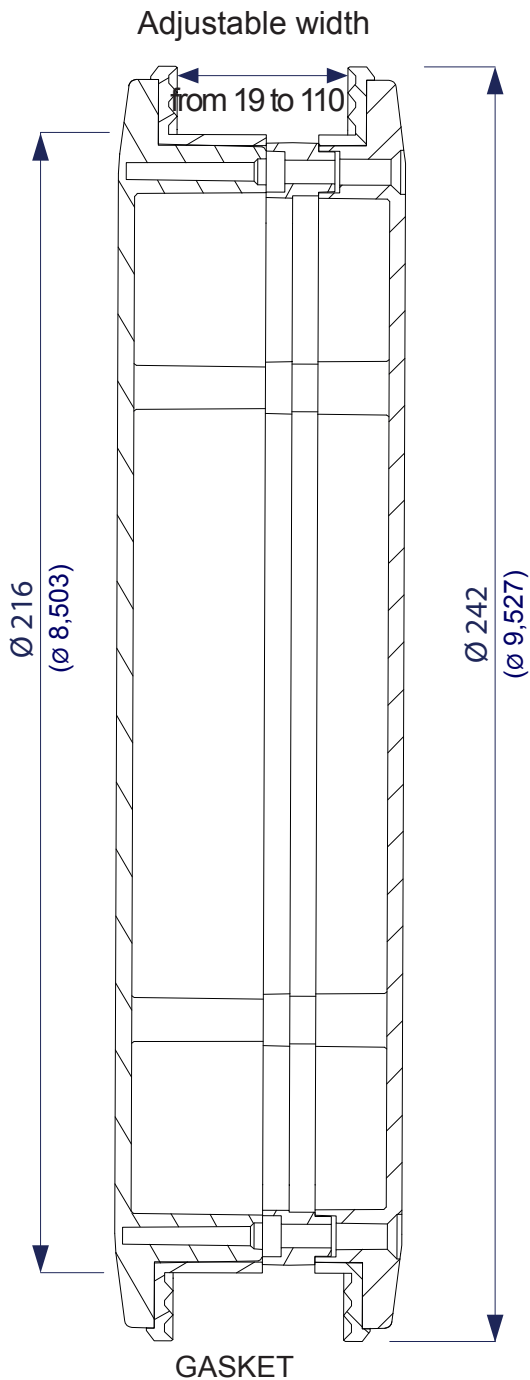
W 19-35
Box of 10 pcs.

W 70-90
Box of 4 pcs.

W 39-53
Box of 6 pcs.

W 95-110
Box of 3 pcs.

W 54-65
Box of 6 pcs.



**Flat and adjustable porthole, nylon and plexiglass,
for panel thickness from 19 to 110 mm.**

WR 25

Box of 10 pcs.

WR 60

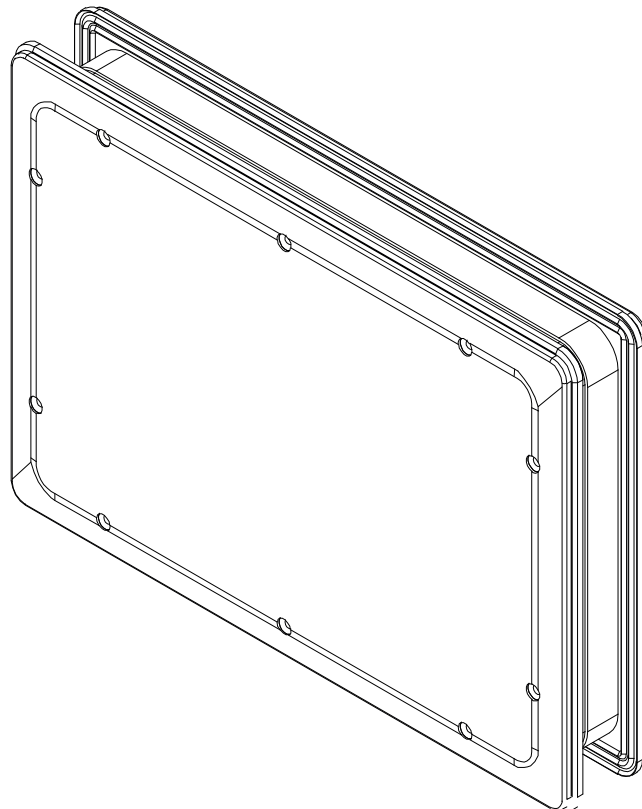
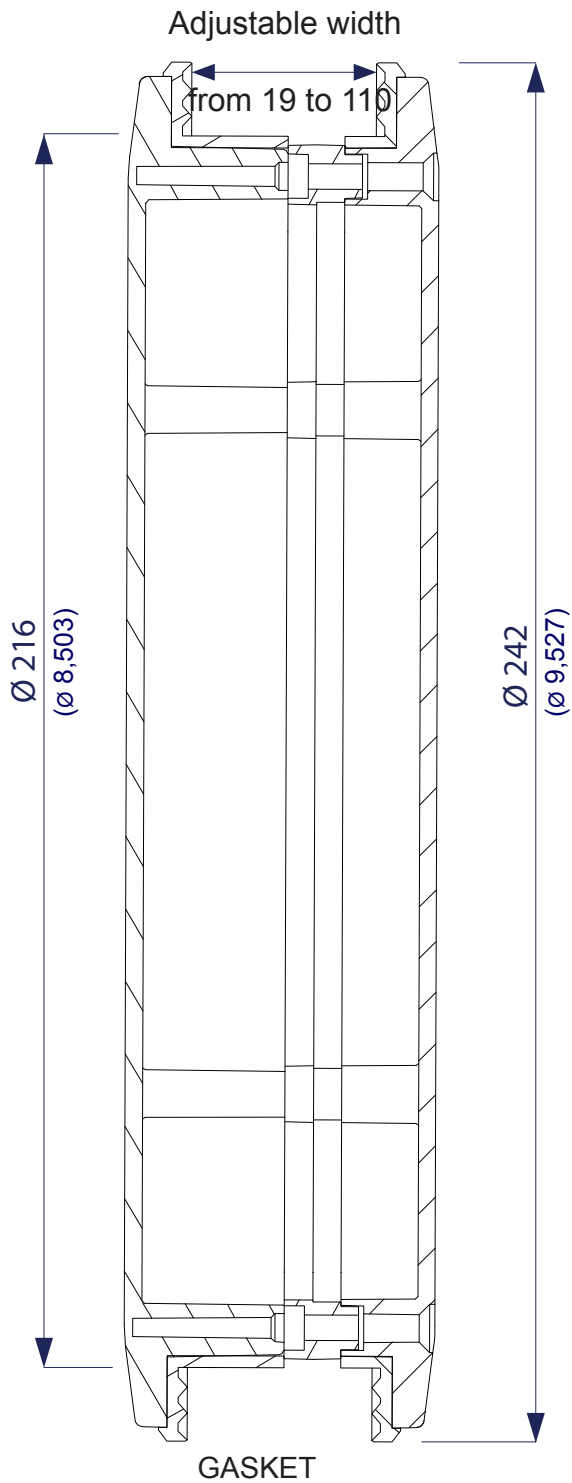
Box of 11 pcs.

WR 45

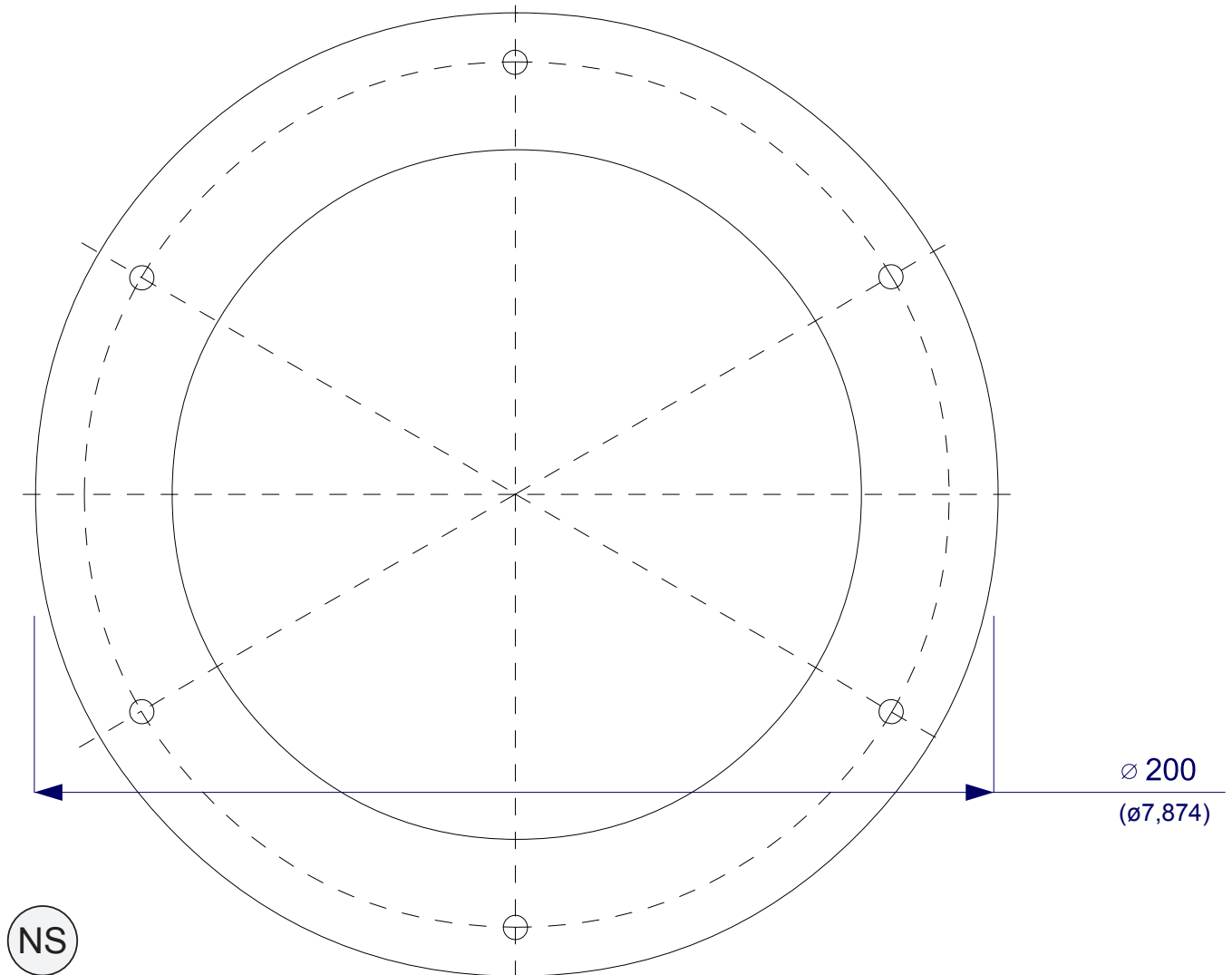
Box of 15 pcs.

WR 50

Box of 15 pcs.

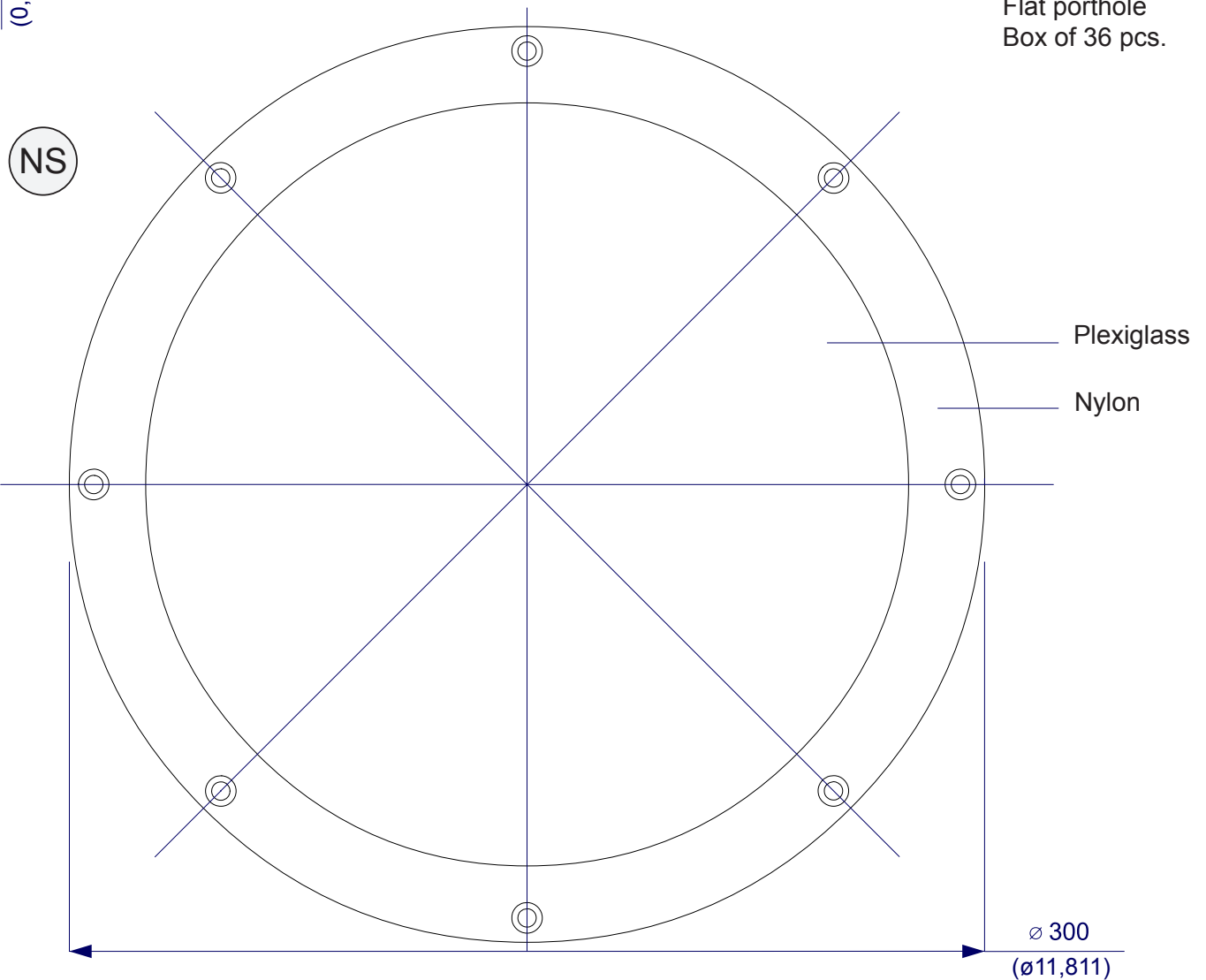
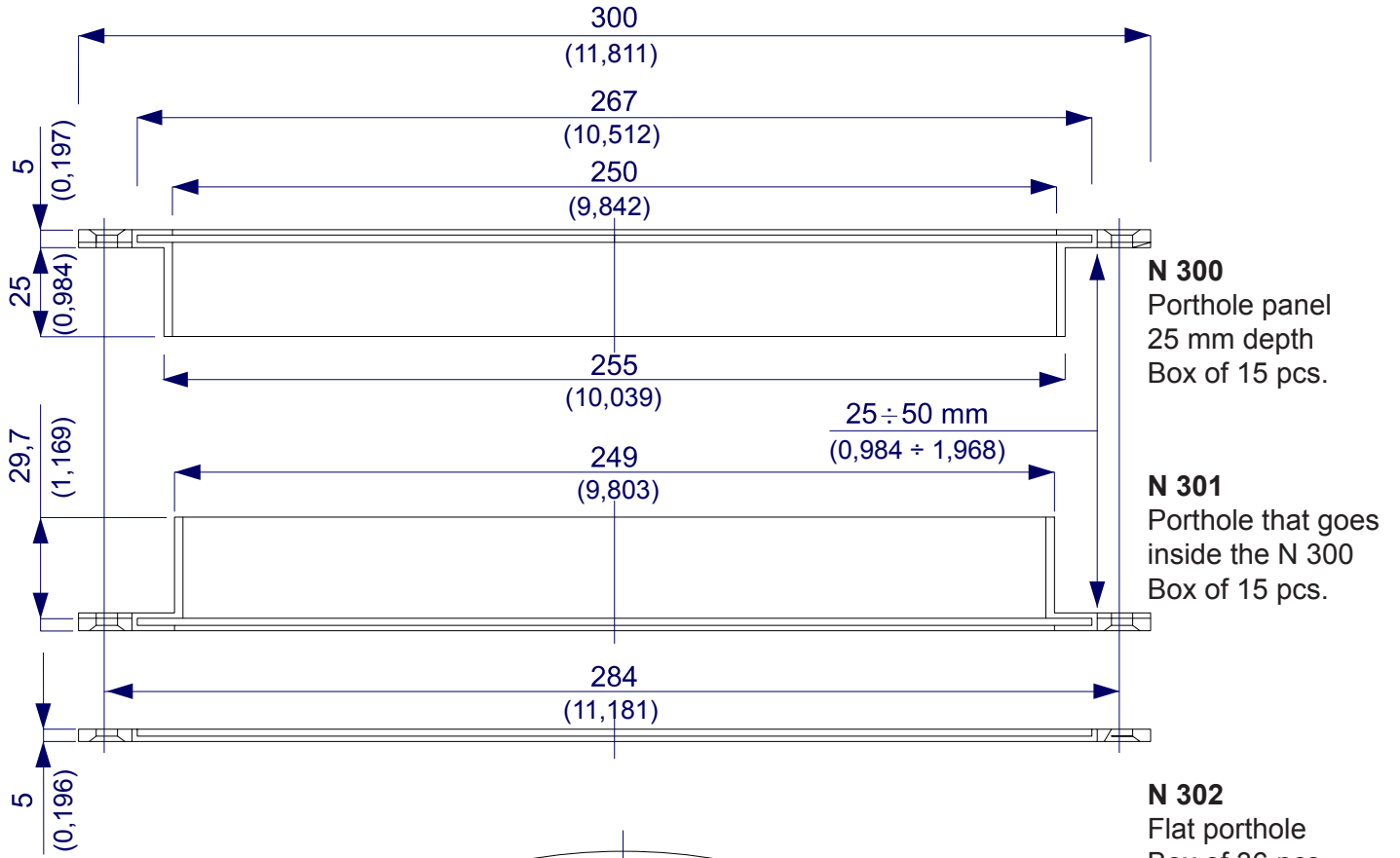


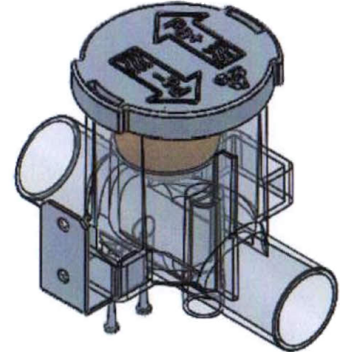
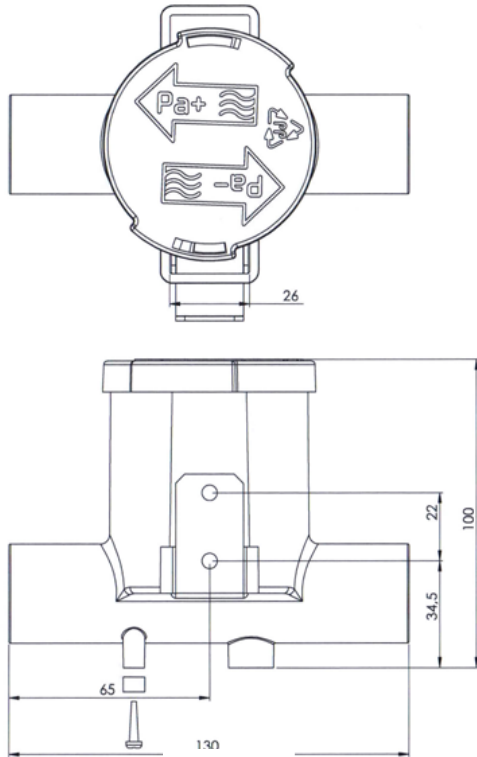
Plexiglass porthole with gasket



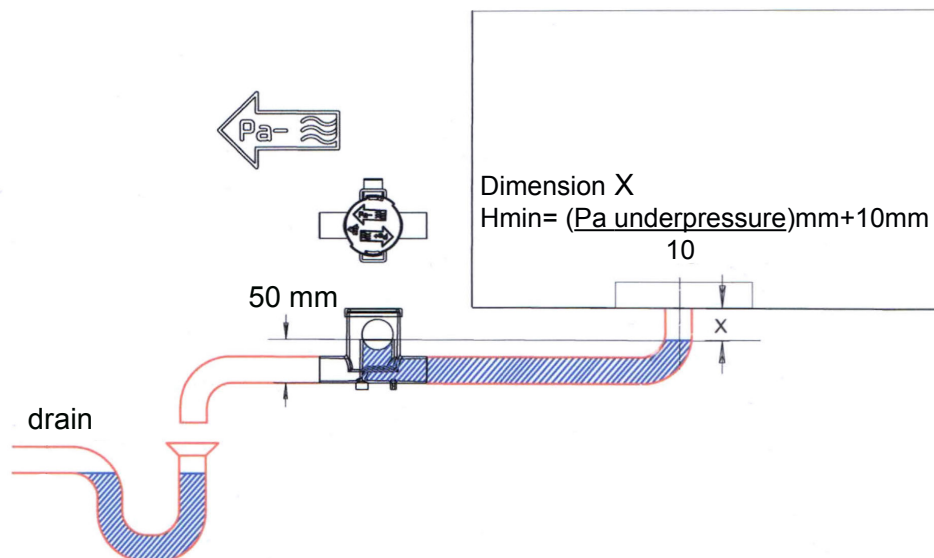
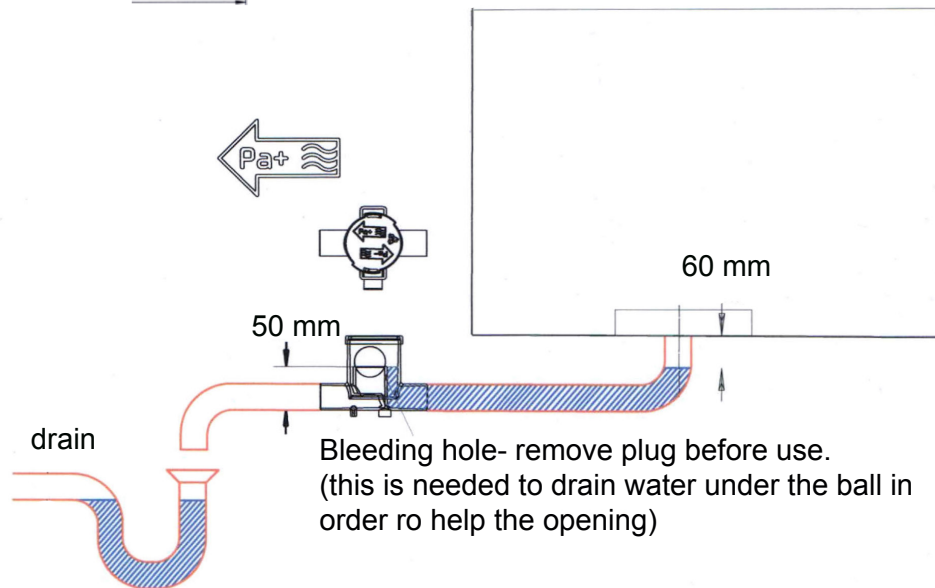
N 181
Box of 50 pcs.

**Flat and adjustable porthole, nylon and plexiglass,
for panel thickness from 25 to 50 mm**

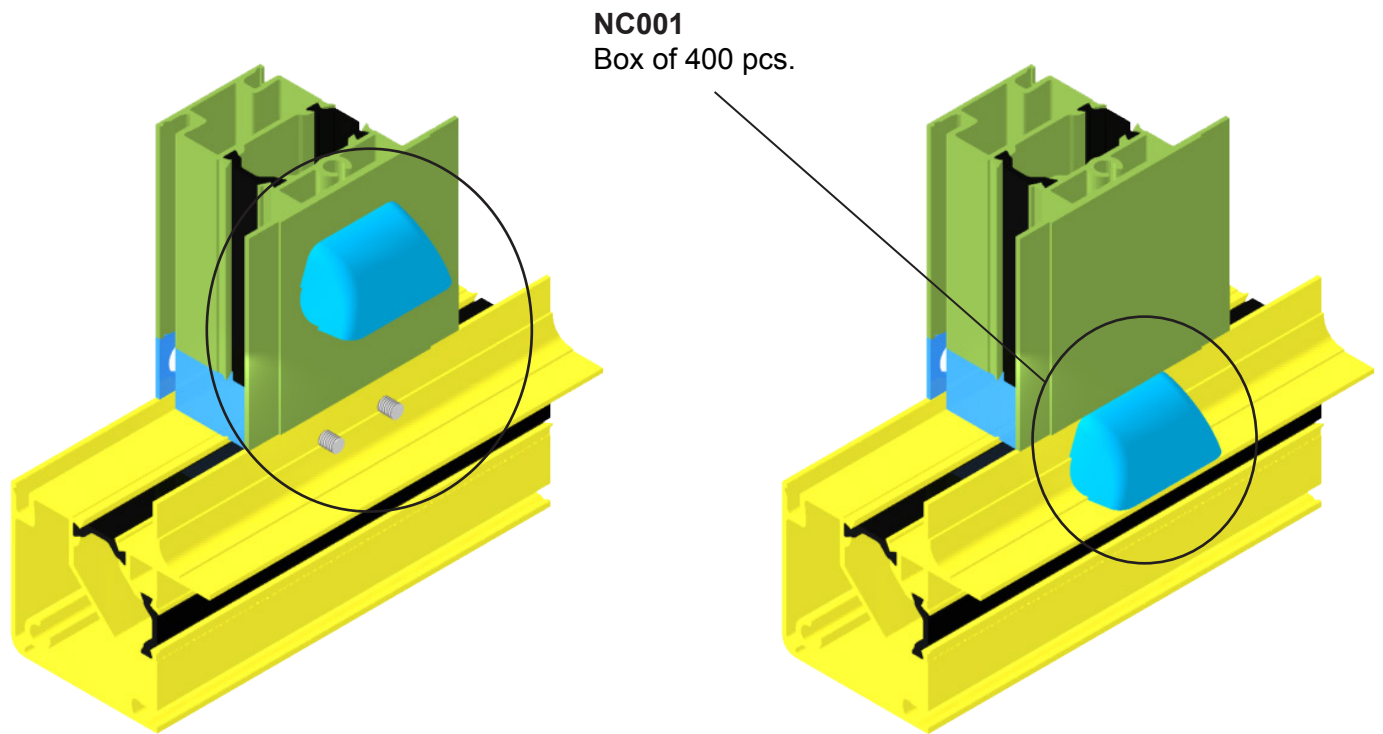




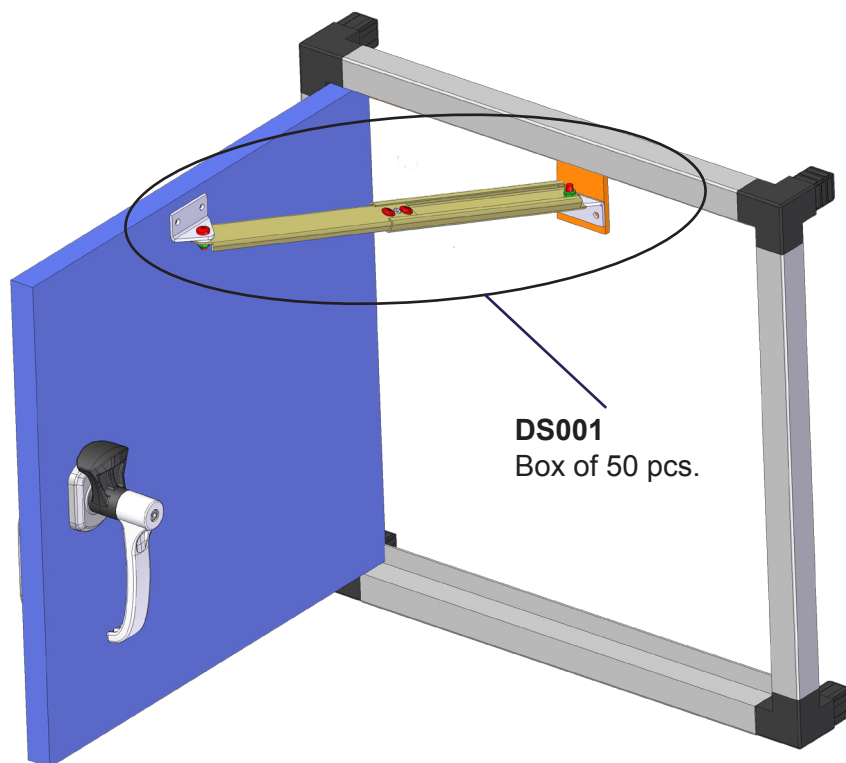
PP001
Box of 30 pcs.

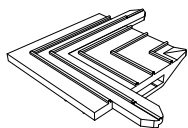


NYLON HIDING SCREW COVER

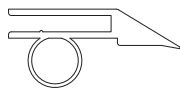


TELESCOPIC DOOR BLOCK

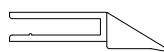




GS-20
Gasket EPDM
Box of 1.000 pcs.



G002
Gasket PVC
Bundle of 100 mt.



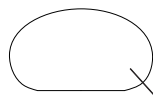
G003 F 1
Gasket PVC
Bundle of 100 mt.



G0015
Gasket PVC
Box of 500 mt.



Adhesive area



Adhesive area



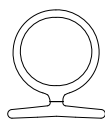
G0017
Gasket Polyurethane
Box of 500 mt.



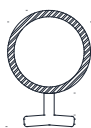
G0019
Gasket Soft PVC
Box of 500 mt.

G0020
Gasket Polyurethane
Box of 500 mt.

G0021
Gasket Polyurethane
Box of 500 mt.



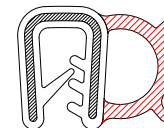
G001
Gasket EPDM
Box of 500 mt.



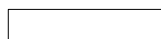
G0012
Gasket EPDM
Box of 500 mt.



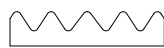
G 59
Gasket PVC
Box of 225 mt.



GE0023
Gasket EPDM
Box of 500 mt.



GE0022_15x3
Gasket EPDM
Box of 600 mt.



GE0024
Gasket EPDM
Box of 600 mt.



GE0024/1
Gasket EPDM
Box of 600 mt.



G004
Gasket PVC
Box of 500 mt.



G65
Gasket PVC
Box of 400 mt.



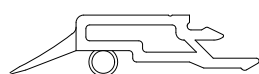
G0011
Gasket EPDM
Box of 700 mt.



G0013
Gasket TPE
Box of 1000 mt.



GE0025
Gasket EPDM
Box of 500 mt.



PVC-PS 15x6
Coextruded Gasket PVC
Bundle of 54 mt.



PVC PS C
Coextruded Gasket PVC
Bundle of 120 mt.



GPL 15x3
Gasket adhesive
Neoprene
Box of 600 mt.
(different dimension
available on request)



PVC GB1
Gasket PVC
Bundle of 120 mt.